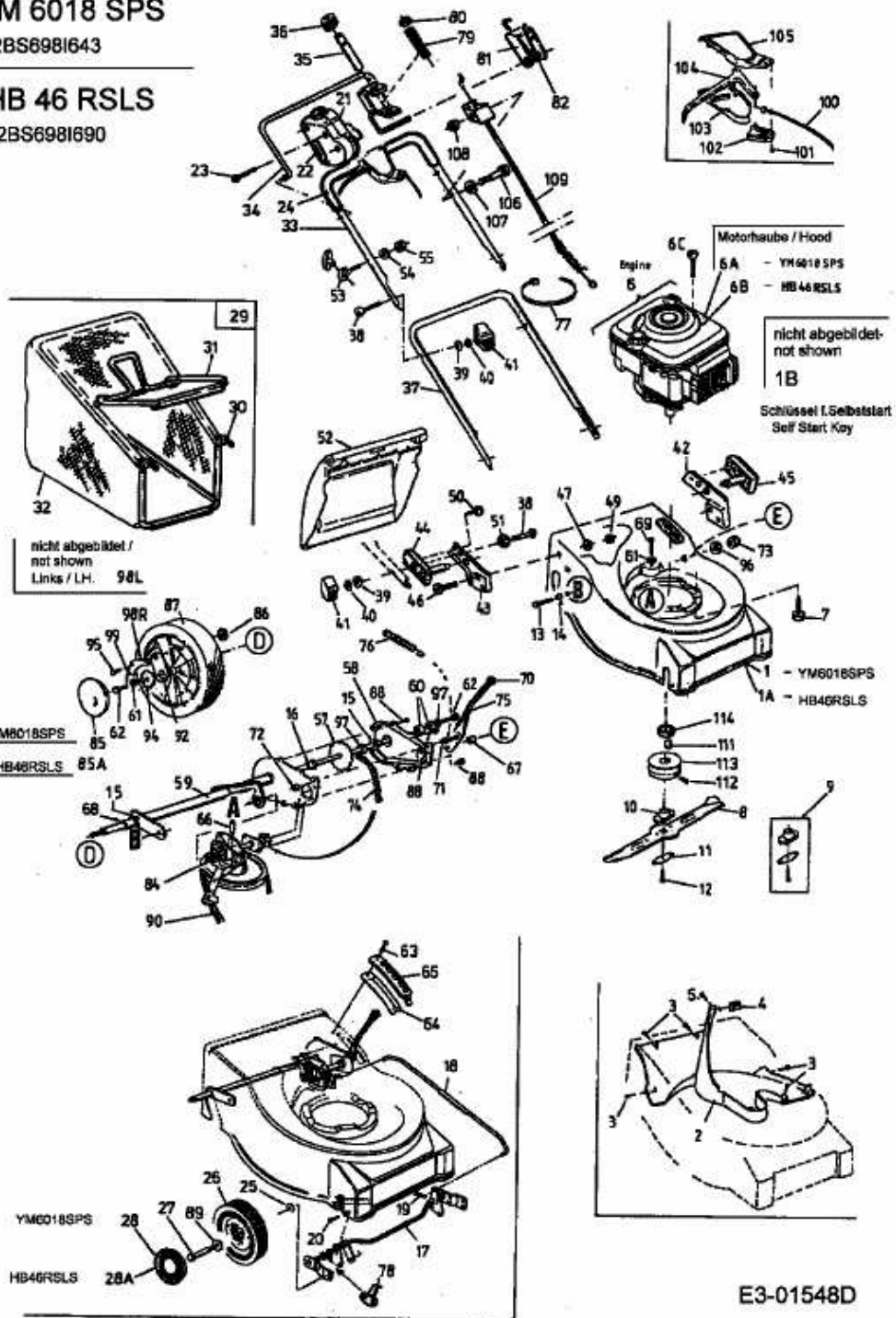


HB 46 RSLs > 12BS698I690 (2004) > GRUNDGERÄT

YM 6018 SPS
12BS698I643

HB 46 RSLs
12BS698I690



E3-01548D