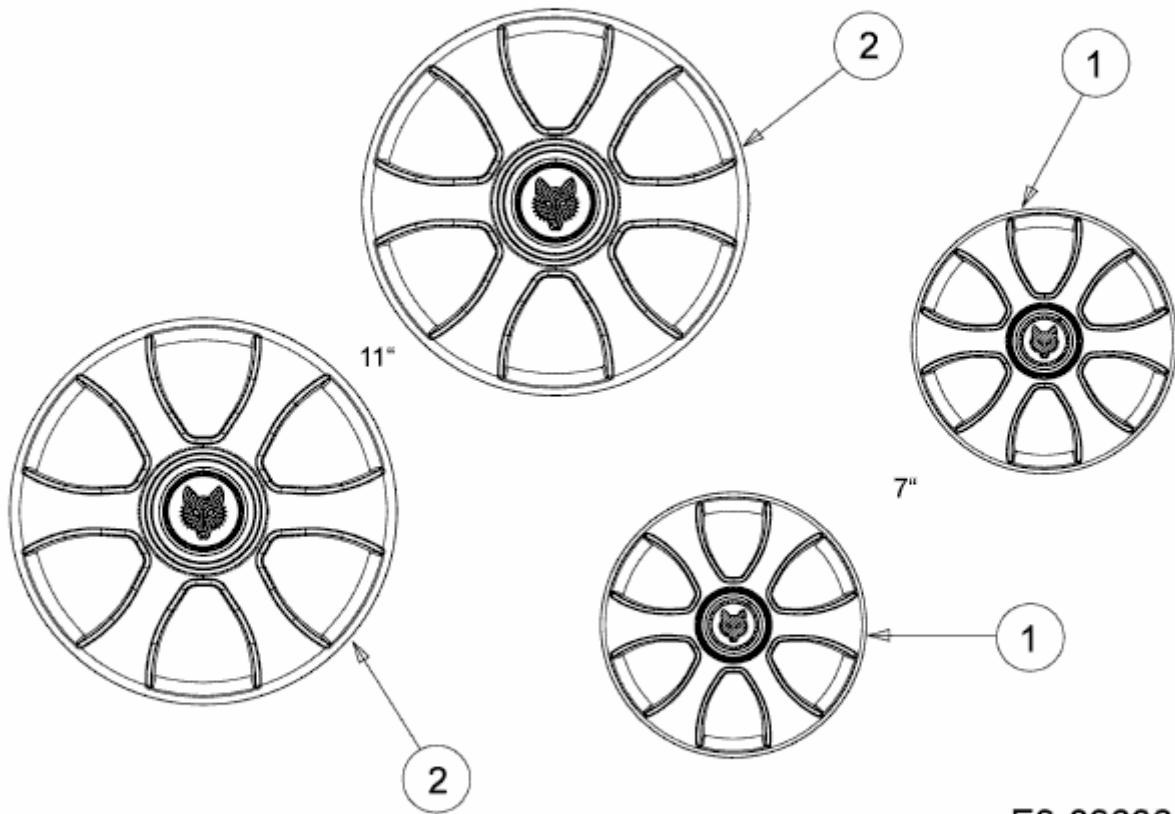


AT 460 AHHW > 12B-TVCQ650 (2016) > RADKAPPEN



E3-03606A-01