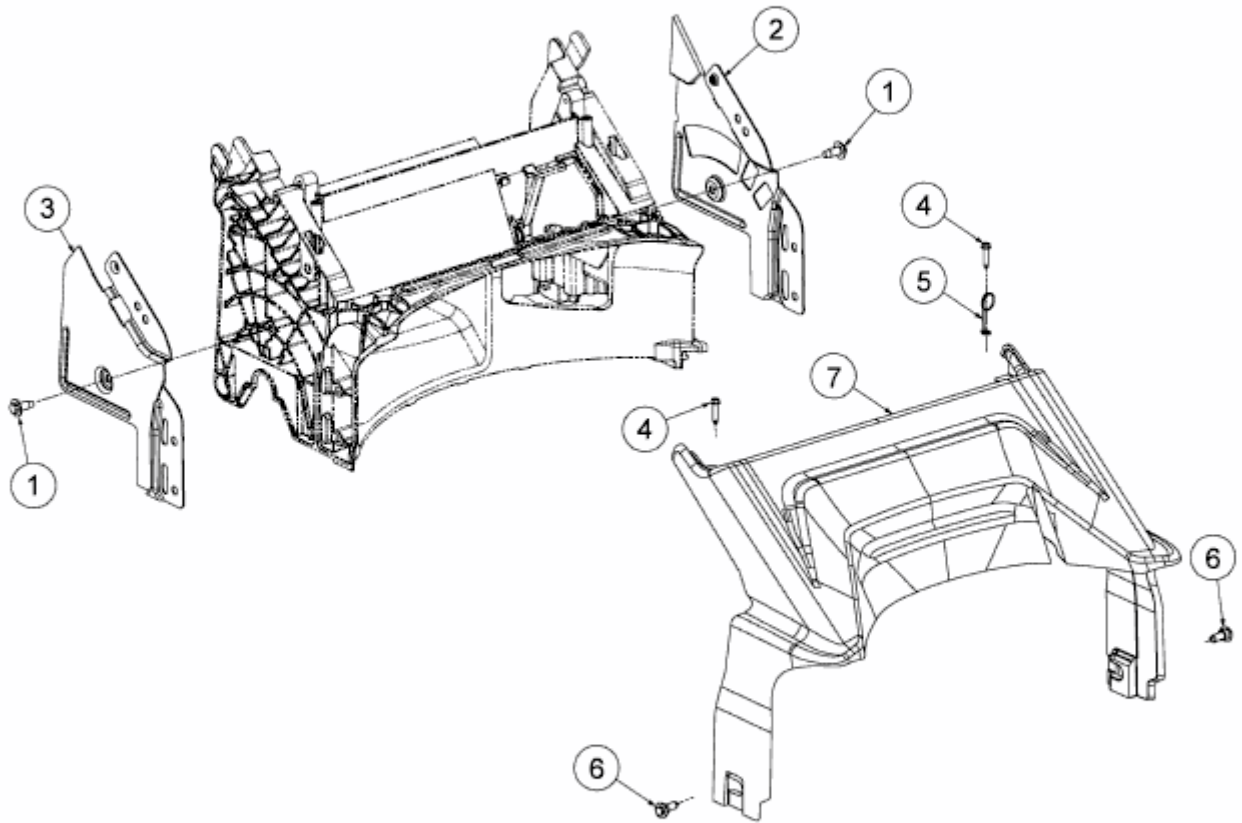


AT 460 AHHW > 12B-TVCQ650 (2016) > ABDECKUNG HINTEN



E3-03601B-01