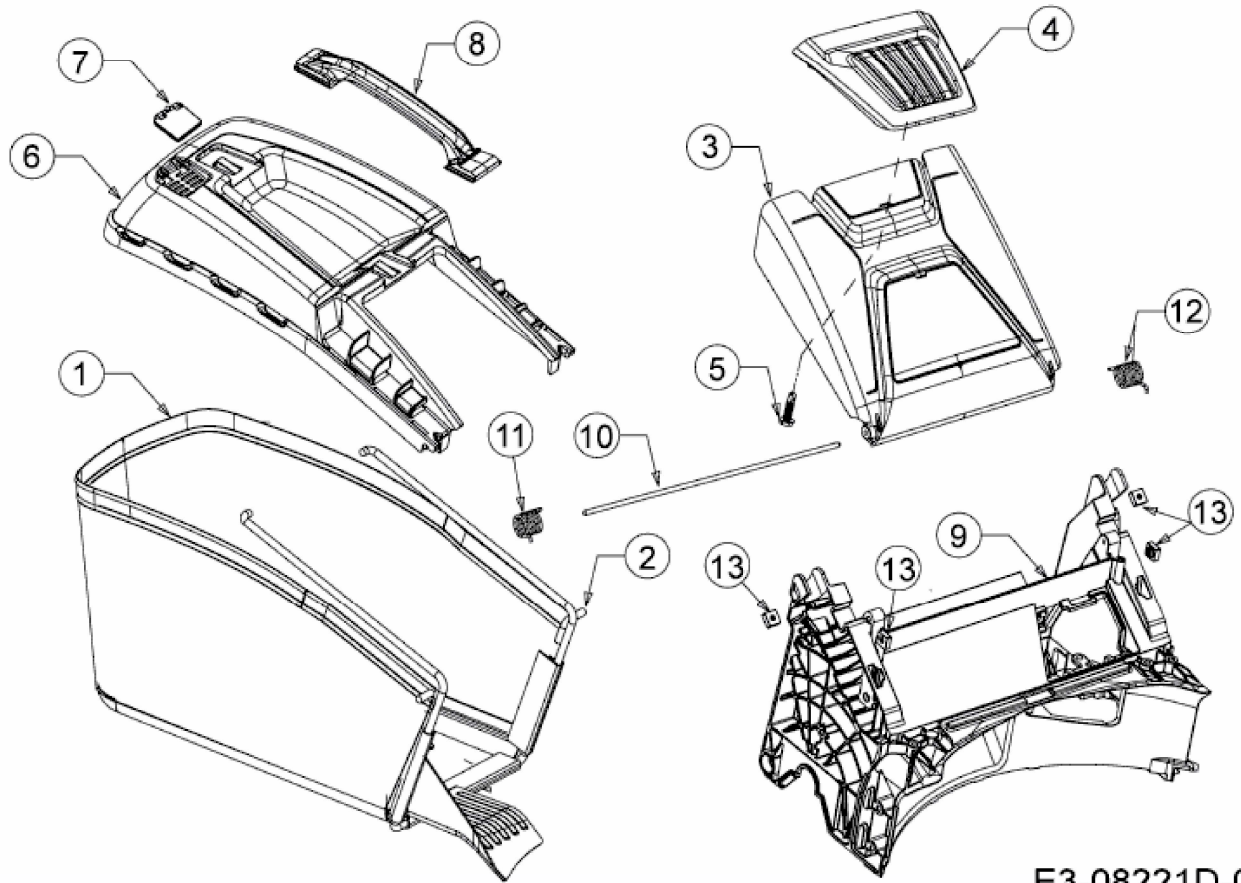


ADVANCE 53 SPKHW > 12B-PN7D600 (2017) > GRASFANGSACK, HECKKLAPPE, LEITSTÜCK
HINTEN



E3-08221D-01