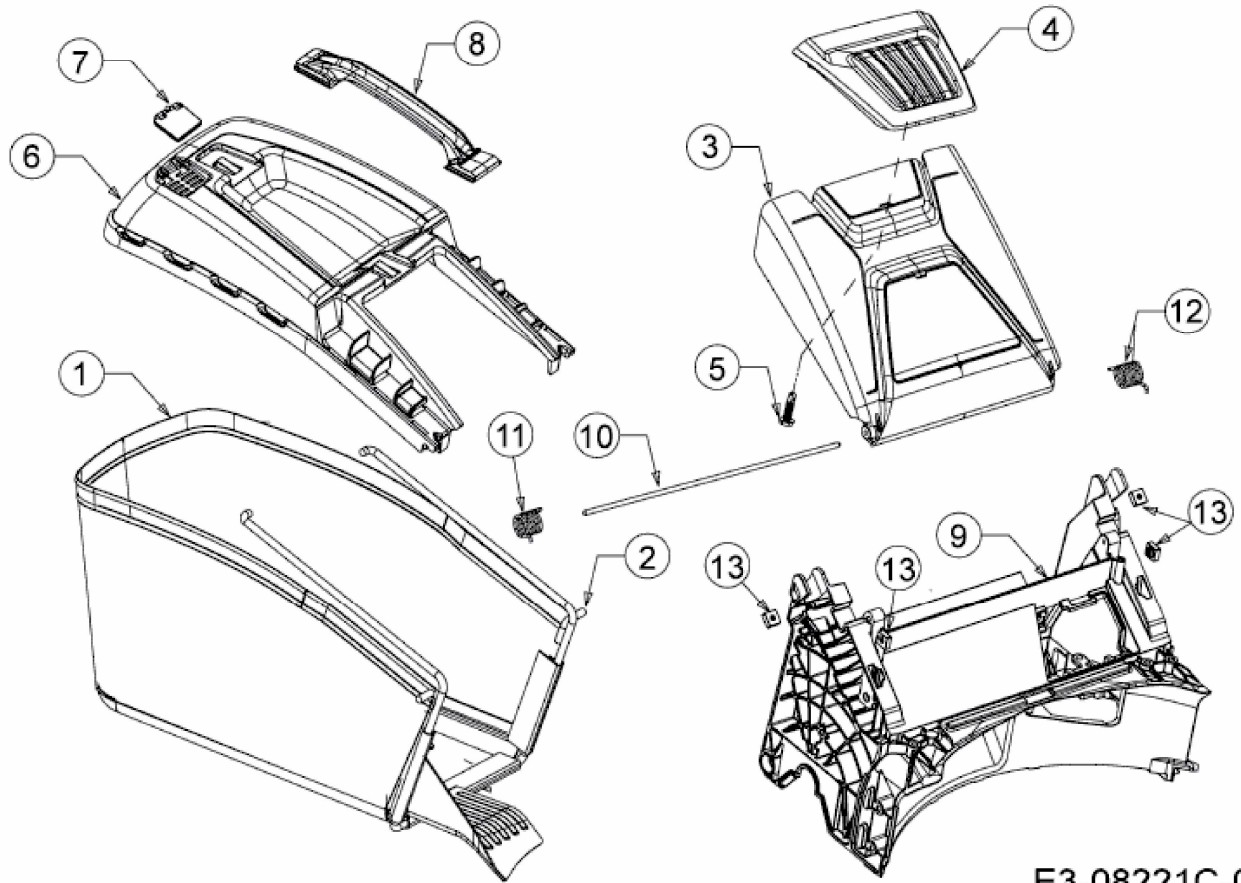


ADVANCE 53 SPKHW > 12B-PN7D600 (2016) > GRASFANGSACK, HECKKLAPPE, LEITSTÜCK  
HINTEN



E3-08221C-01