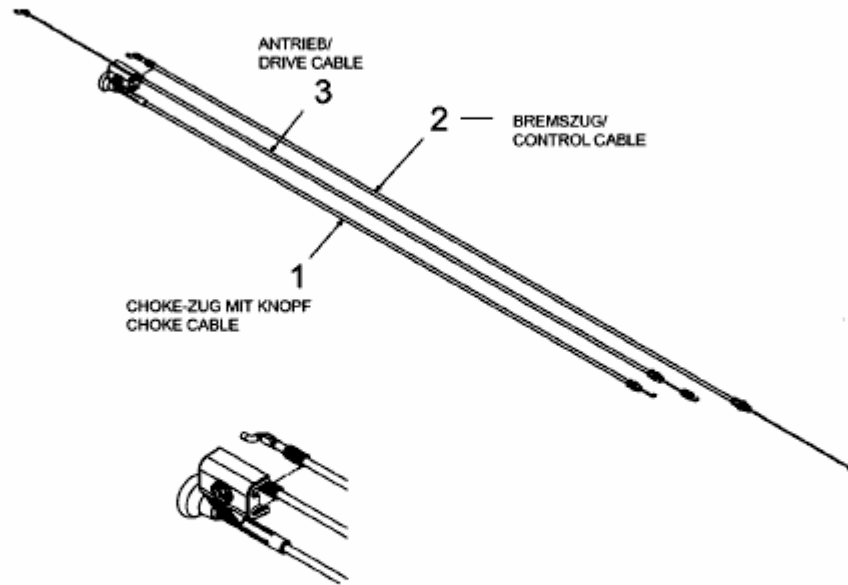


BL 4046 SP
N46 S TO 45
46 SPO
BBM 46R OHV
500-46-A



NOTE: CHOKE CABLE TO BE MOUNTED IN UPPER LOCATION.
DRIVE CABLE TO BE MOUNTED IN LOWER LOCATION.

E3-02631A-01