

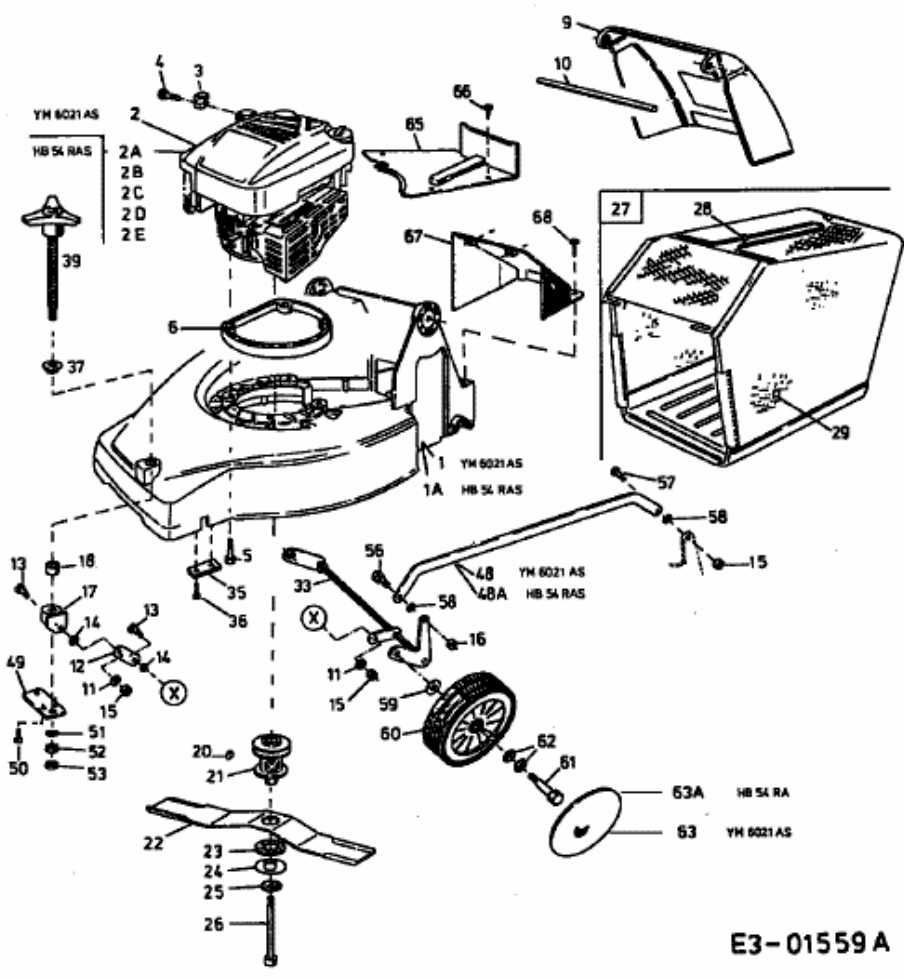
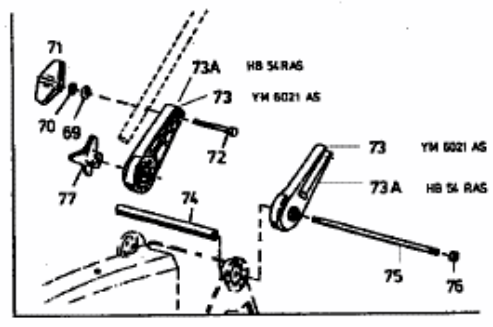
YM 6021 AS > 12ASQ79T643 (2001) > GRASFANGSACK, MESSER, SCHNITTHÖHENVERSTELLUNG

YM 6021 AS

12ASQ79T643

HB 54 RAS

12ASQ79U690



E3-01559 A