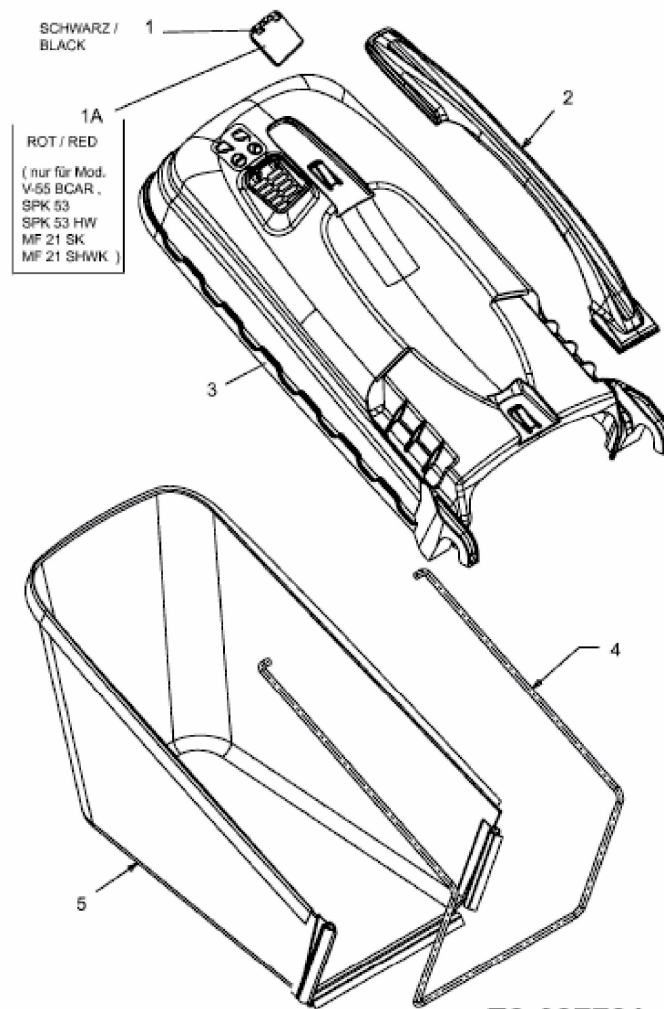


SPK 53 > 12AI837D678 (2008) > GRASFANGSACK



E3-03778A-01