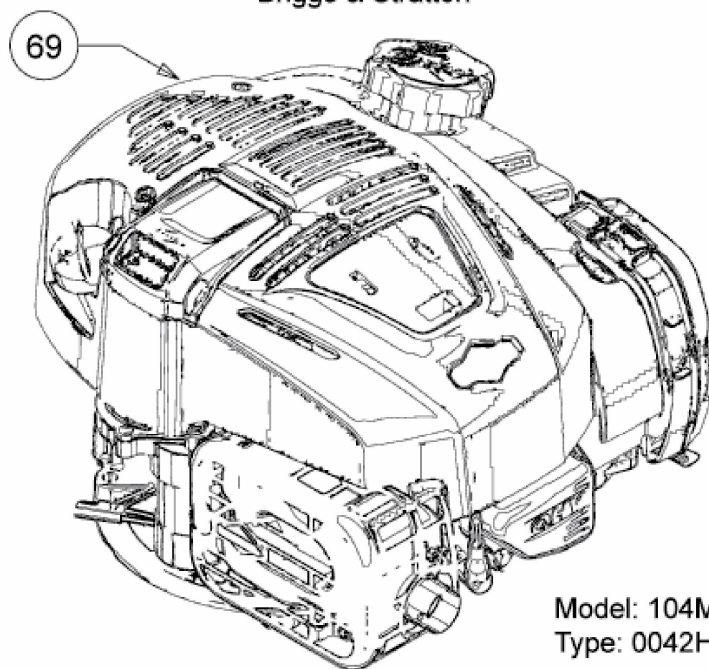
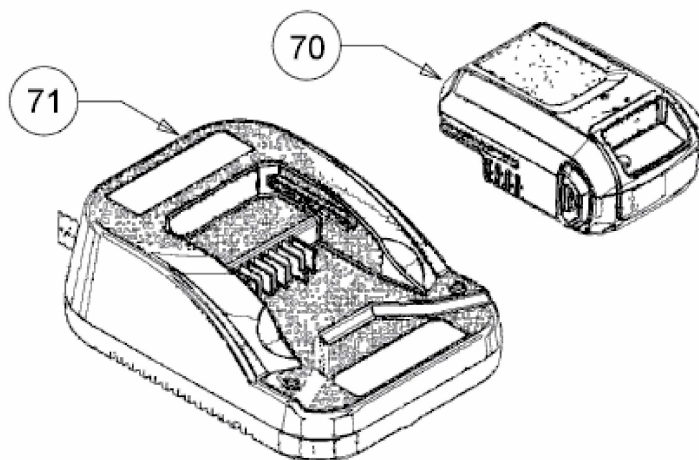


Briggs & Stratton



Model: 104M05
Type: 0042H1



E3-09510A-01