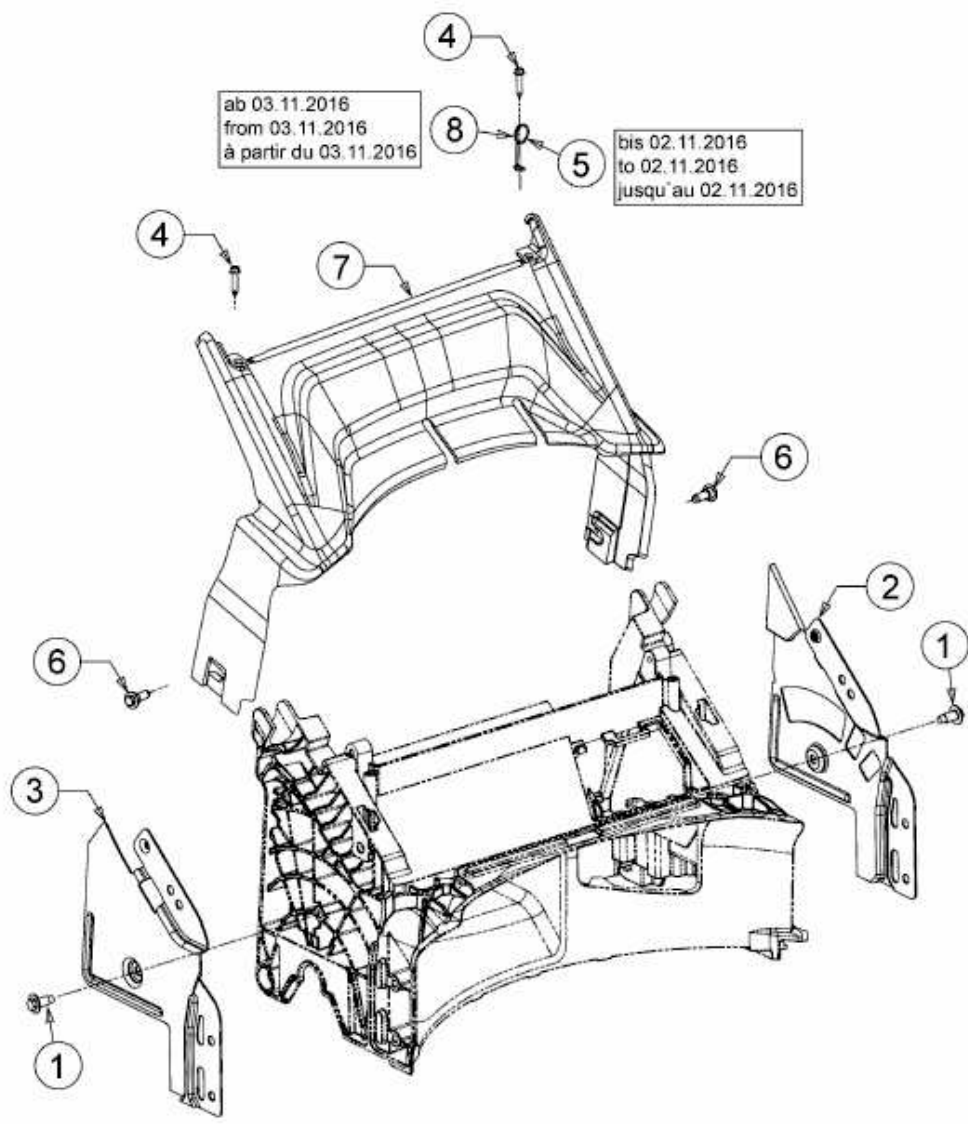


46 SPOSE > 12AETCS7678 (2017) > ABDECKUNG HINTEN



E3-02844B-01