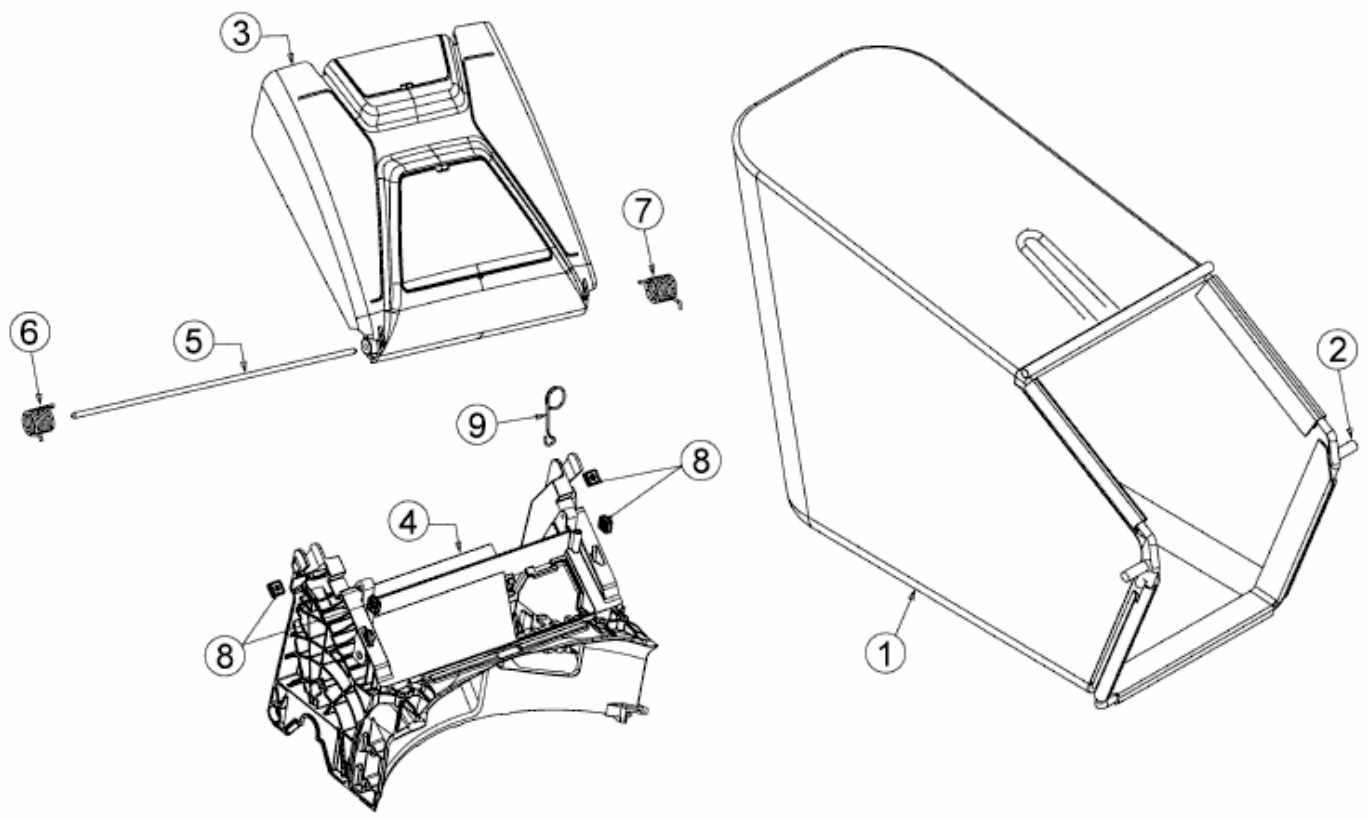


53 SPOES > 12AEPYS7600 (2016) > GRASFANGSACK



E3-08258B-01