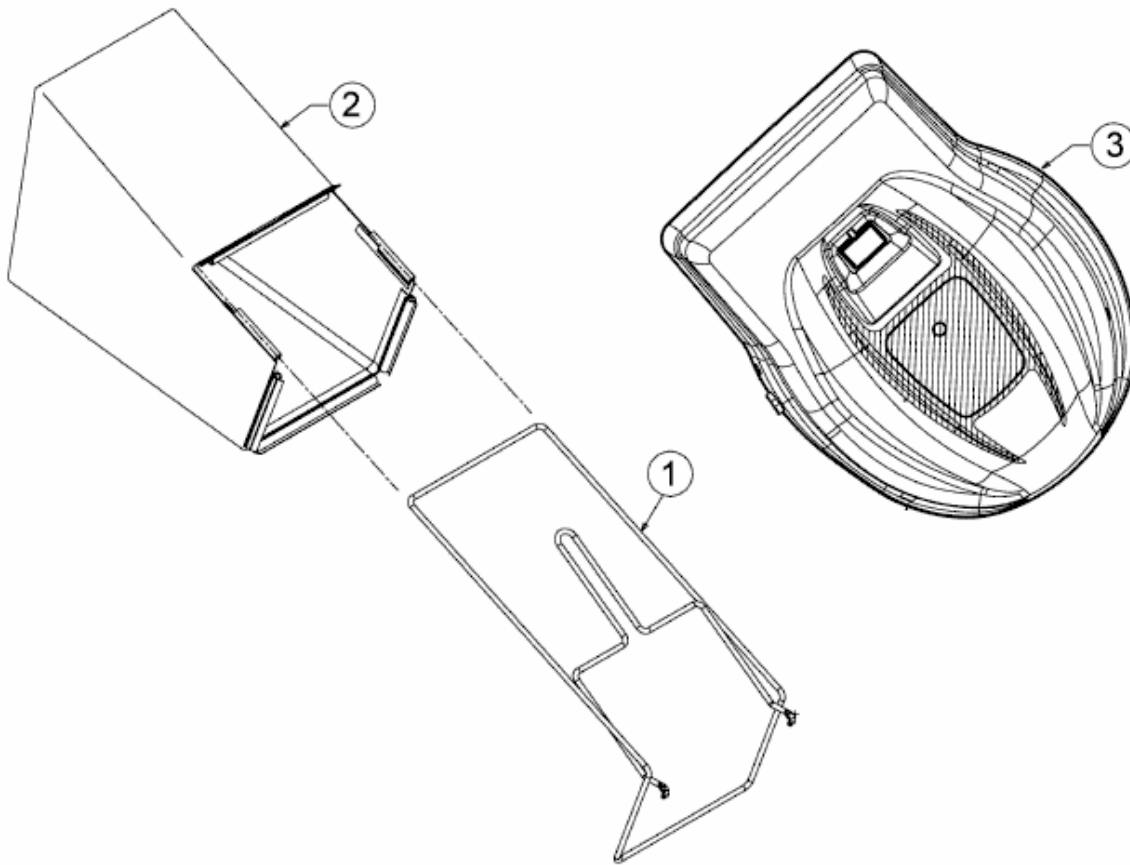


46 SPOE > 12AEJ2M4676 (2011) > GRASFANGSACK, HECKKLAPPE



E3-05481A-01