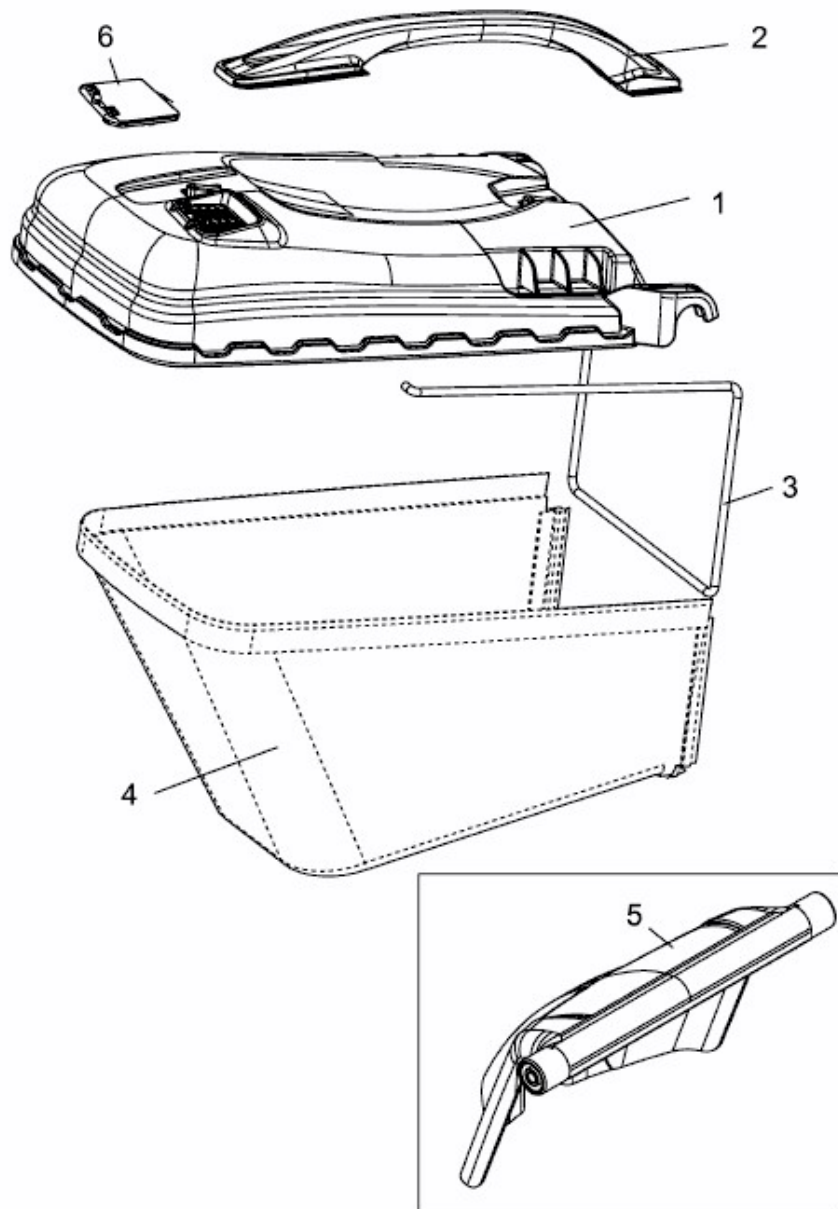


YM 6019 SPBE > 12AE188U643 (2011) > GRASFANGSACK, HECKKLAPPE



E3-05362A-01