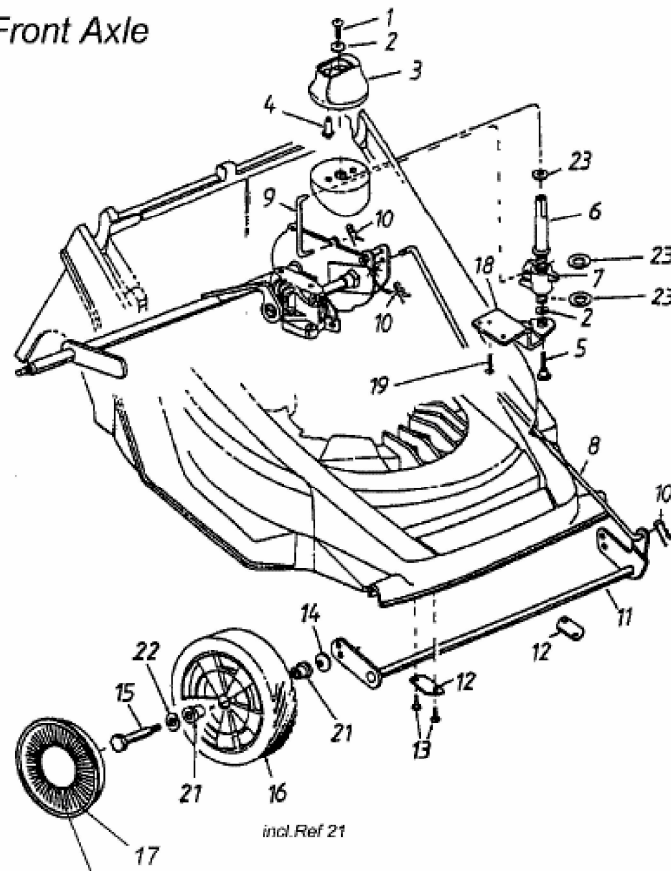


Front Axle



17A SP46 GXL

E3-01946A-01