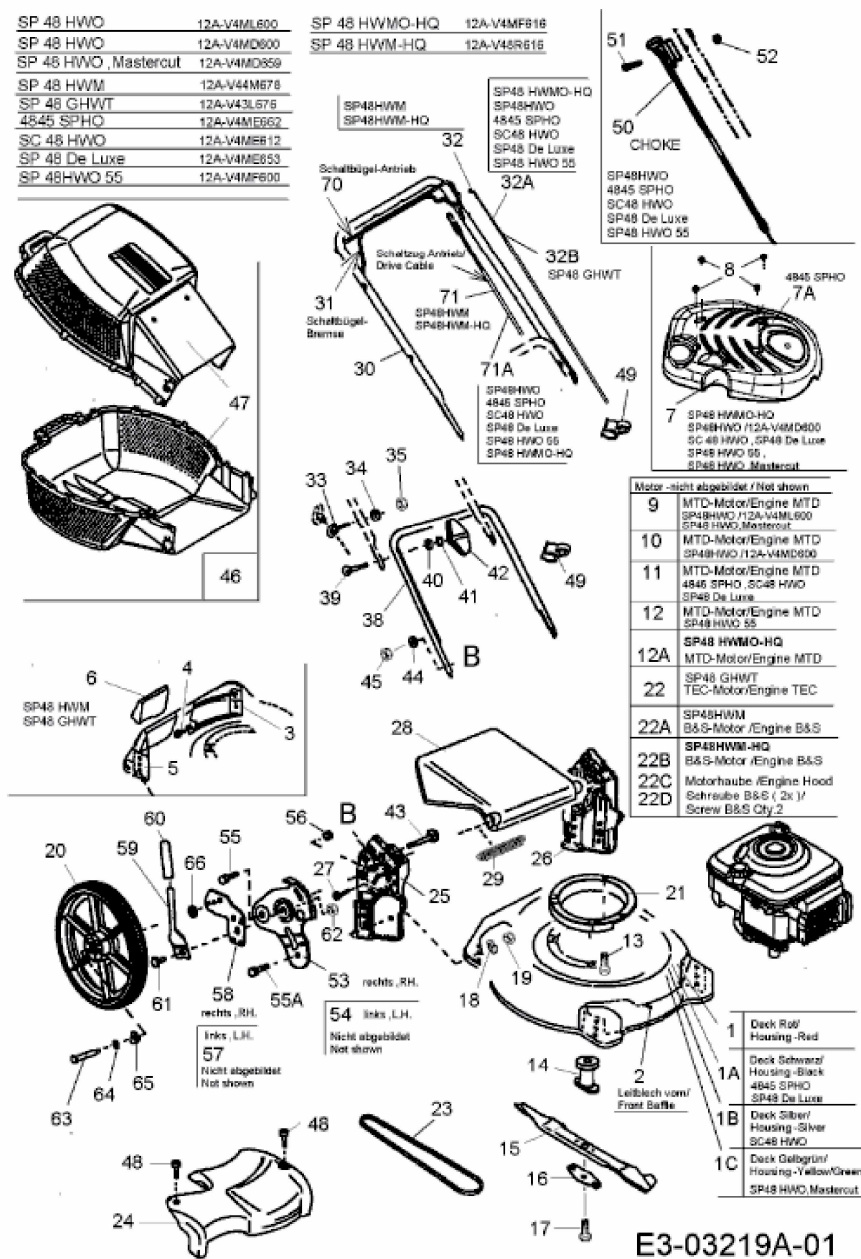


SP 48 HWO 55 > 12A-V4MF600 (2007) > GRUNDGERÄT

SP 48 HWO	12A-V4ML600
SP 48 HWO	12A-V4MD600
SP 48 HWO ,Mastercut	12A-V4MD859
SP 48 HWM	12A-V44M678
SP 48 GHWT	12A-V43L675
4845 SPHO	12A-V4ME662
SC 48 HWO	12A-V4ME612
SP 48 De Luxe	12A-V4ME653
SP 48HWO 55	12A-V4MF600

SP 48 HWMO-HQ	12A-V4MF616
SP 48 HWM-HQ	12A-V48R616



Motor - nicht abgebildet / Not shown	
9	MTD-Motor/Engine MTD SP48HWO /12A-V4ML600 SP48 HWO, Mastercut
10	MTD-Motor/Engine MTD SP48HWO /12A-V4MD600
11	MTD-Motor/Engine MTD 4845 SPHO, SC48 HWO SP48 De Luxe
12	MTD-Motor/Engine MTD SP48 HWO 55
12A	SP48 HWMO-HQ MTD-Motor/Engine MTD
22	SP48 GHWT TEC-Motor/Engine TEC
22A	SP48HWM B&S-Motor /Engine B&S
22B	SP48HWM-HQ B&S-Motor /Engine B&S
22C	Motorhaube /Engine Hood
22D	Schraube B&S ( 2x 1/2 ) Screw B&S Qty:2

1	Deck Rot/ Housing -Red
1A	Deck Schwarz/ Housing -Black 4845 SPHO SP48 De Luxe
1B	Deck Silber/ Housing -Silver SC48 HWO
1C	Deck Gelbgrün/ Housing -Yellow/Green SP48 HWO, Mastercut

E3-03219A-01