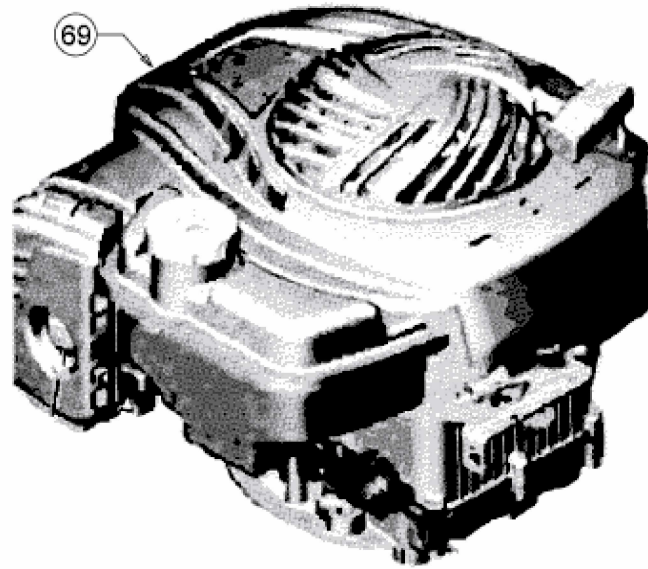


Briggs & Stratton



Model: 09P602  
Type: 0004H1

E3-08603B-01