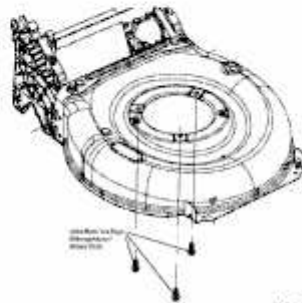


BL 3546 S > 12A-TF5B683 (2015) > MOTOR

vešt obješkilki / not shown

Številka / Figure	Številka / Figure	
1	Smart 46 PD, Smart 46 SPD	MTD
2	SMART 46 SPO, MTD 46, MTD 46 II, MTD 46 III, MTD 46 IV	MTD
10	Smart 46 PB, Smart 46 SPB, Smart 46 EPB, Optima 46 PB, MTD 46 PB, MTD 46 SPB, BL 3546 II, Intex 46 II, Intex 46 III	Drigo & Stralco
11	Optima 46 SPB, Optima 46 SPBHW, Smart 46 SPB	Drigo & Stralco
12	CC 46 SPBHW, CC 46 SPB, HW 46 DA, SW 46 SPB, MT 46 SPD V, Expert 46 DA, Expert 46 DA V, Optima 46 SPBHW, BL 4603 II	Drigo & Stralco
13	Dive 46 EPBHW	Drigo & Stralco
14	HW 46 SPB	Drigo & Stralco
20	Advance 46 SPBHW	Amatori



E3-08148A-01