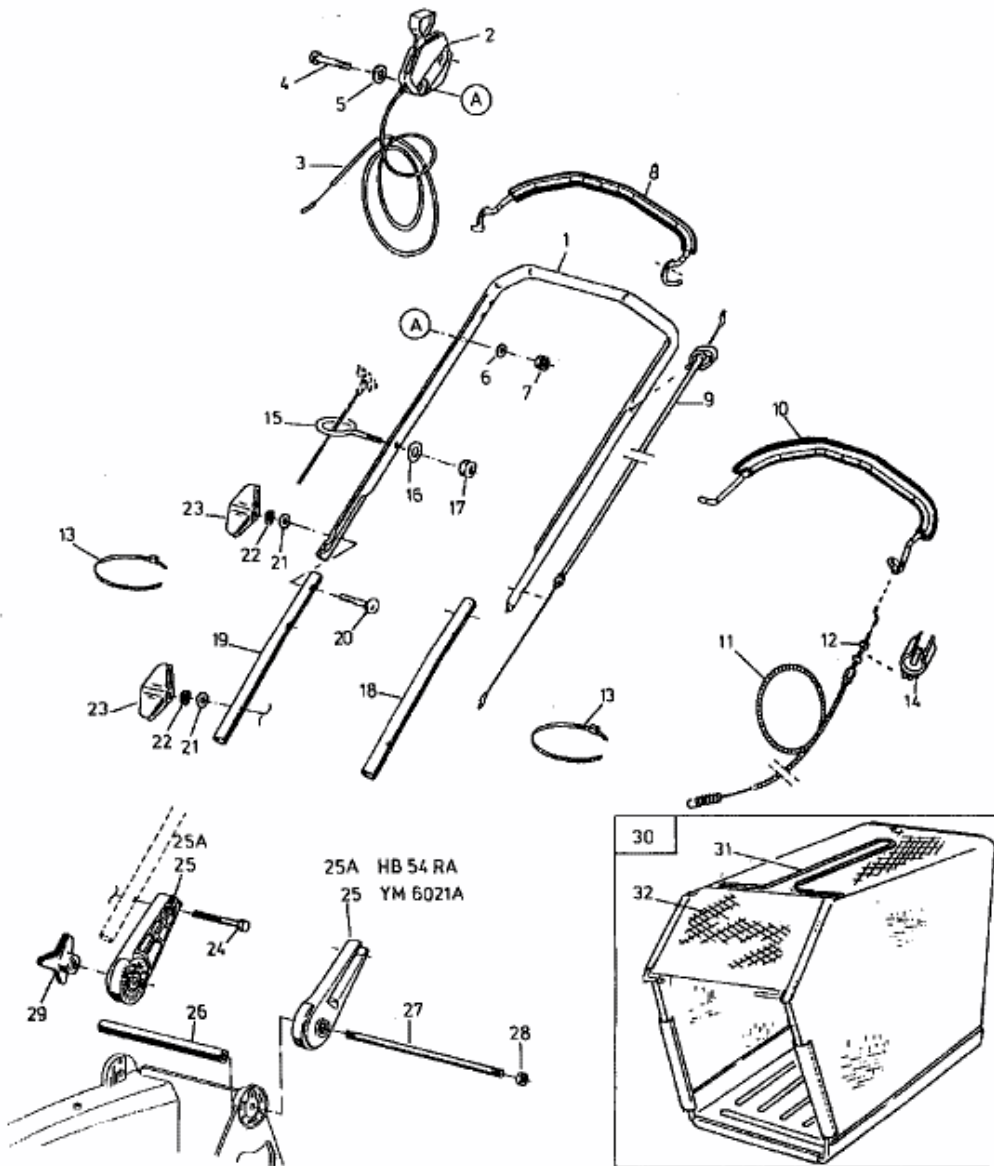


YM 6021 A > 12A-Q78T643 (2001) > GRASFANGSACK, HOLM

YM 6021 A
HB 54 RA



E3-01582 A