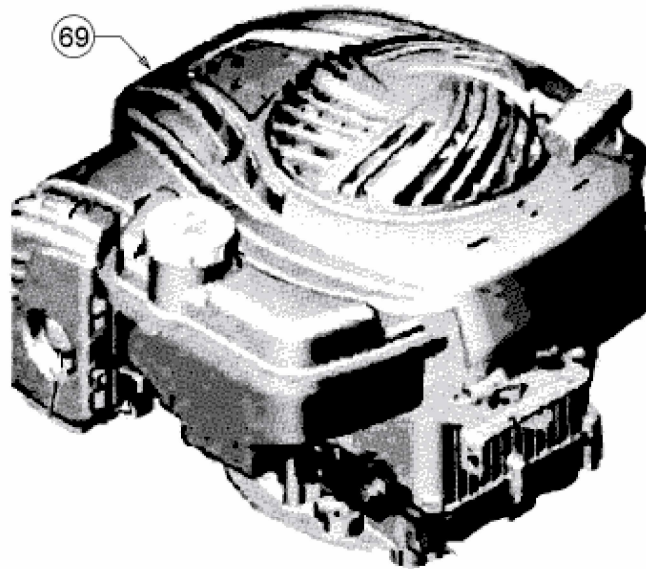


Briggs & Stratton



Model: 126T02
Type: 6175-H1

E3-04075A-01