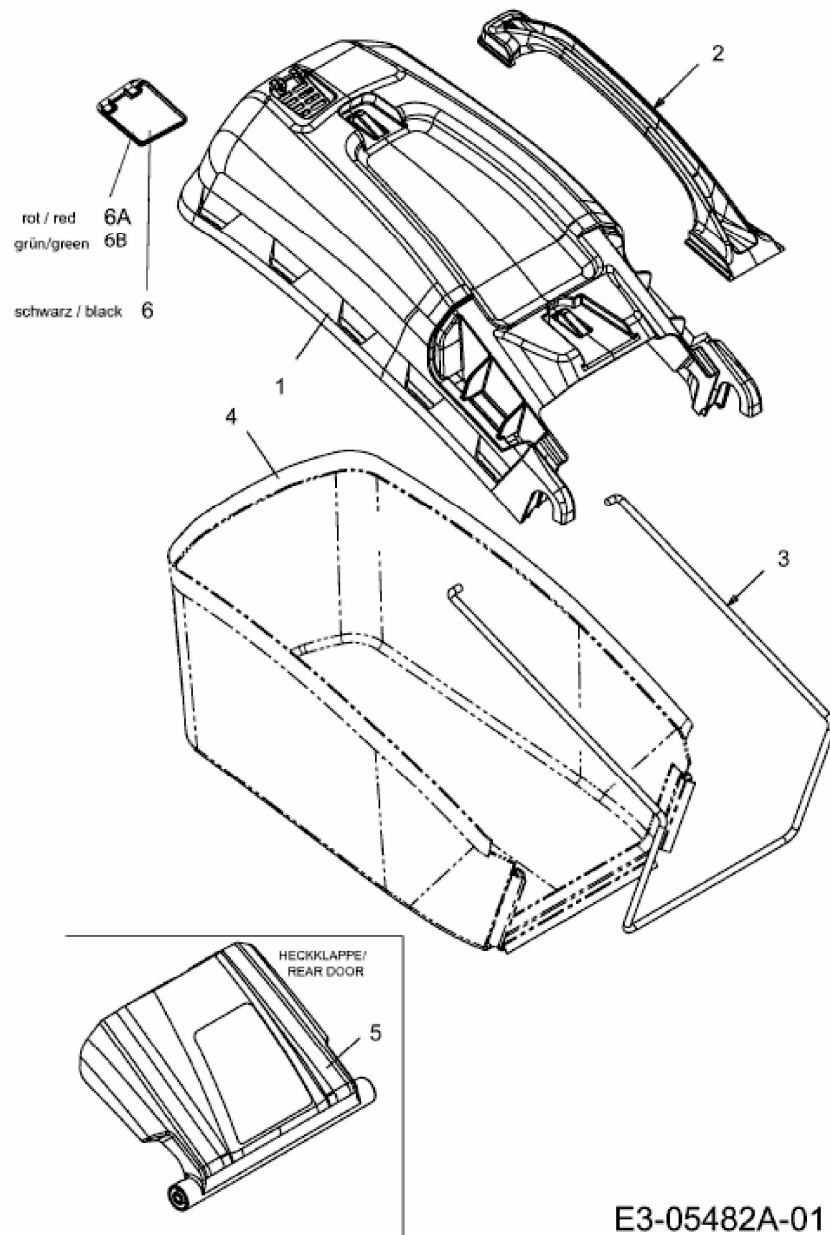


BMR 46 PREMIUM > 12A-J6AQ601 (2013) > GRASFANGSACK



E3-05482A-01