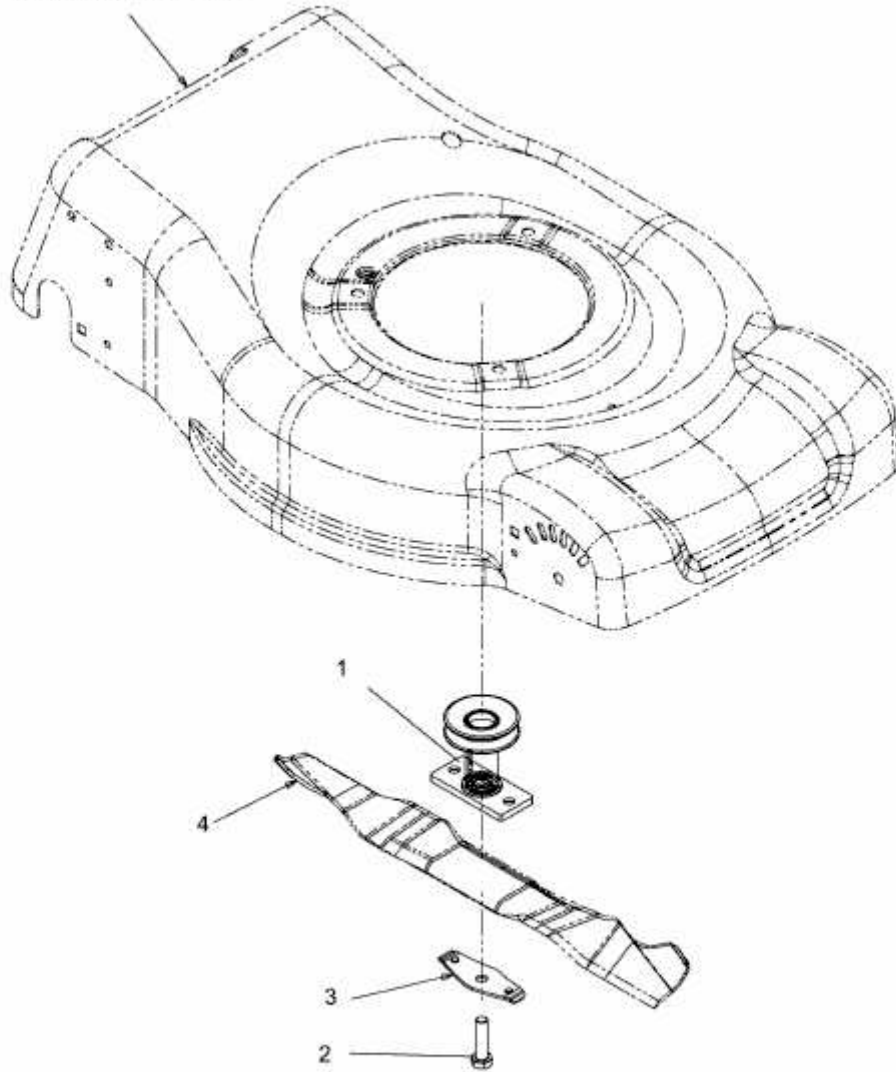


FOR REFERENCE ONLY



E3-06682A-01