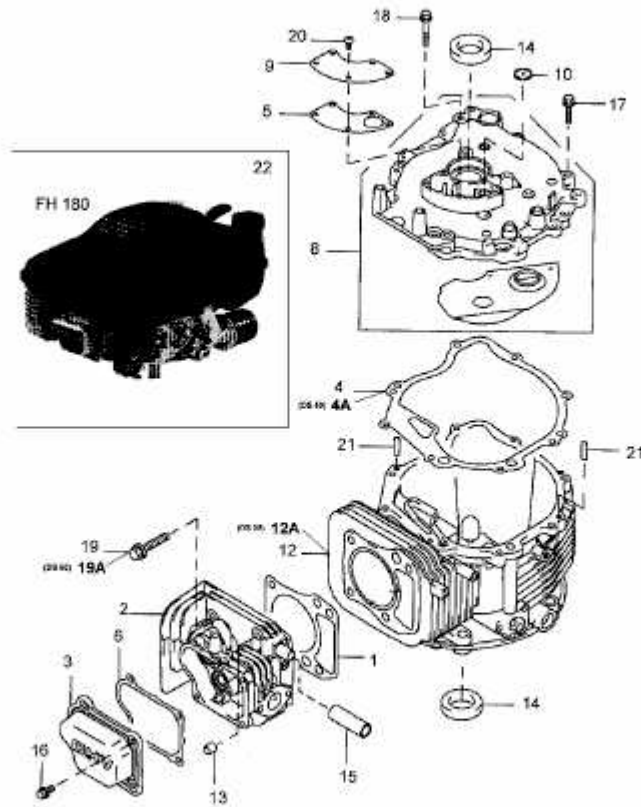


HB 58 RLCK > 12A-997D690 (2004) > KURBELGEHÄUSE, ZYLINDER

Kawasaki-Motor FH 180 MTD-Nr. 752S180S50



E3-01801A