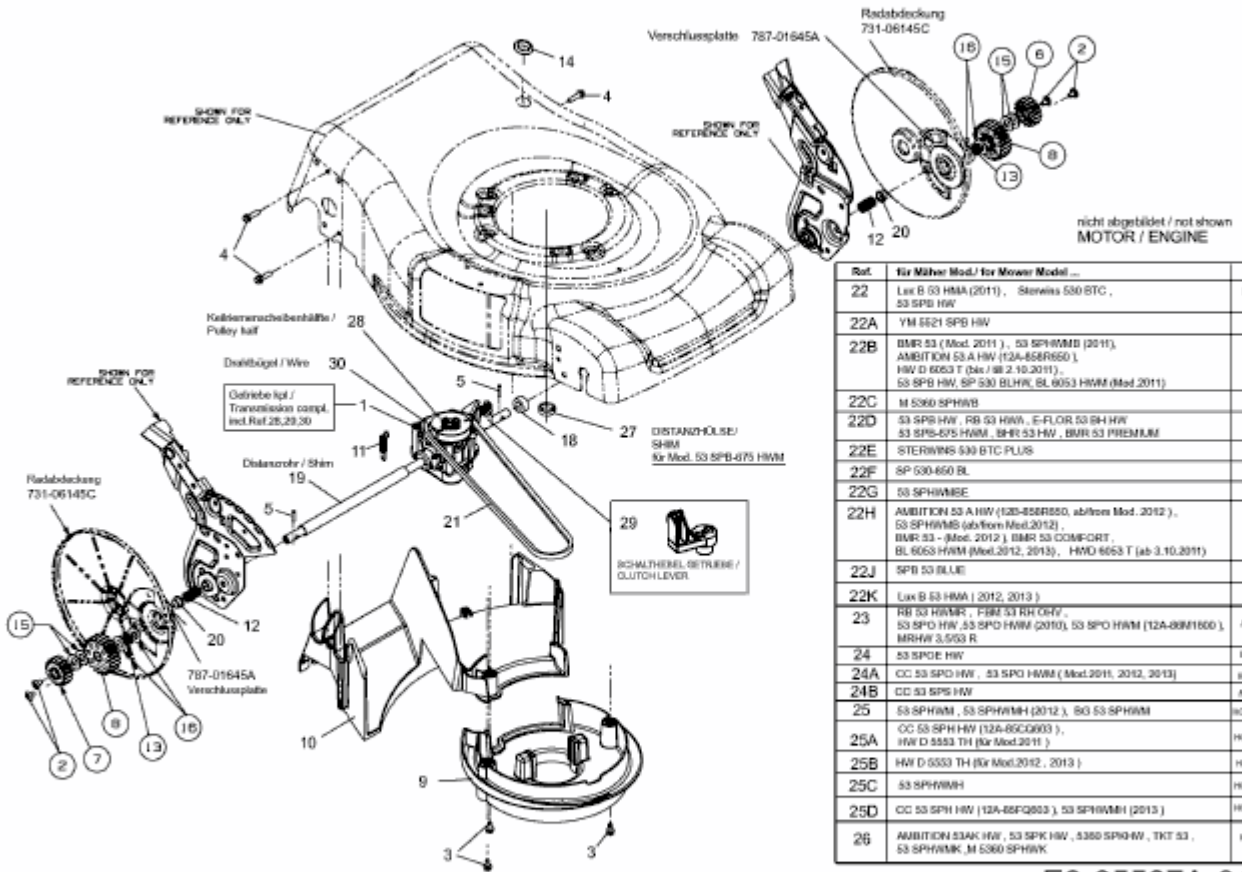


CC 53 SPOHW > 12A-85JT603 (2012) > GETRIEBE, MOTOR



Ref.	für Mäher Mod./ for Mower Model ...	
22	Lux B 53 HMA (2011), Sterwin 530 BTC, 53 SPO HW	883
22A	YM 6021 SPO HW	883
22B	BMR 53 (Mod. 2011), 53 SPHMMB (2011), AMBITION 53 A HW (12A-858R650), HW D 6053 T (ab 1.8.2013), 53 SPO HW, SP 530 BLHW, BL 6053 HMM (Mod. 2011)	883
22C	M 5360 SPHMB	883
22D	53 SPO HW, RB 53 HW, E-FLOR 53 SH HW, 53 SPO-675 HMM, 53 SPO HW, BMR 53 PREMIUM	883
22E	STERWIN 530 BTC PLUS	883
22F	SP 530 650 BL	883
22G	53 SPHWSE	883
22H	AMBITION 53 A HW (12A-858R650, ab/from Mod. 2012), 53 SPHMB (ab/from Mod. 2012), BMR 53 - (Mod. 2012), BMR 53 COMFORT, BL 6053 HMM (Mod. 2012, 2013), HMD 6053 T (ab 3.10.2011)	883
22J	SPB 53 BLUE	883
22K	Lux B 53 HMA   2012, 2013	883
23	RB 53 HWBK, FINE 53 HW CRP, 53 SPO HW, 53 SPO HW (2010), 53 SPO HW (12A-858R650), MRHW 3,5/53 R	MTD
24	53 SPOE HW	MTD
24A	CC 53 SPO HW, 53 SPO HMM (Mod. 2011, 2012, 2013)	MTD
24B	CC 53 SPS HW	MTD
25	53 SPHMM, 53 SPHMH (2012), RG 53 SPHMM	HONDA
25A	CC 53 SPH HW (12A-85C0003), HW D 5553 TH (für Mod. 2011)	HONDA
25B	HW D 5553 TH (für Mod. 2012, 2013)	HONDA
25C	53 SPHMH	HONDA
25D	CC 53 SPH HW (12A-85F0003), 53 SPHMH (2013)	HONDA
26	AMBITION 53AK HW, 53 SPK HW, 5360 SPO HW, TKT 53, 53 SPHMK, M 5360 SPHWK	KAMA

E3-05587A-01