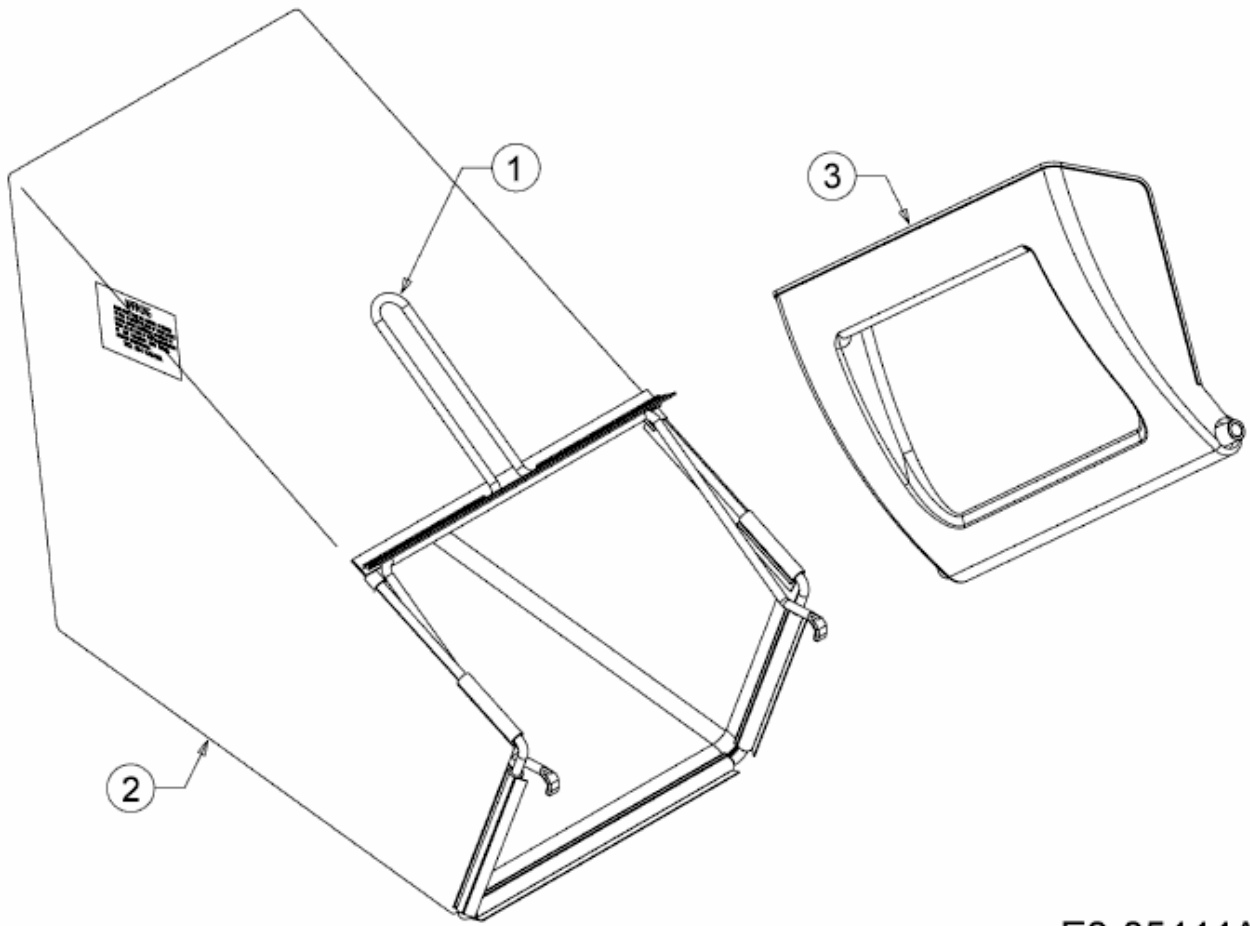


53 S > 12A-84J6600 (2016) > GRASFANGSACK, HECKKLAPPE



E3-05444A-01