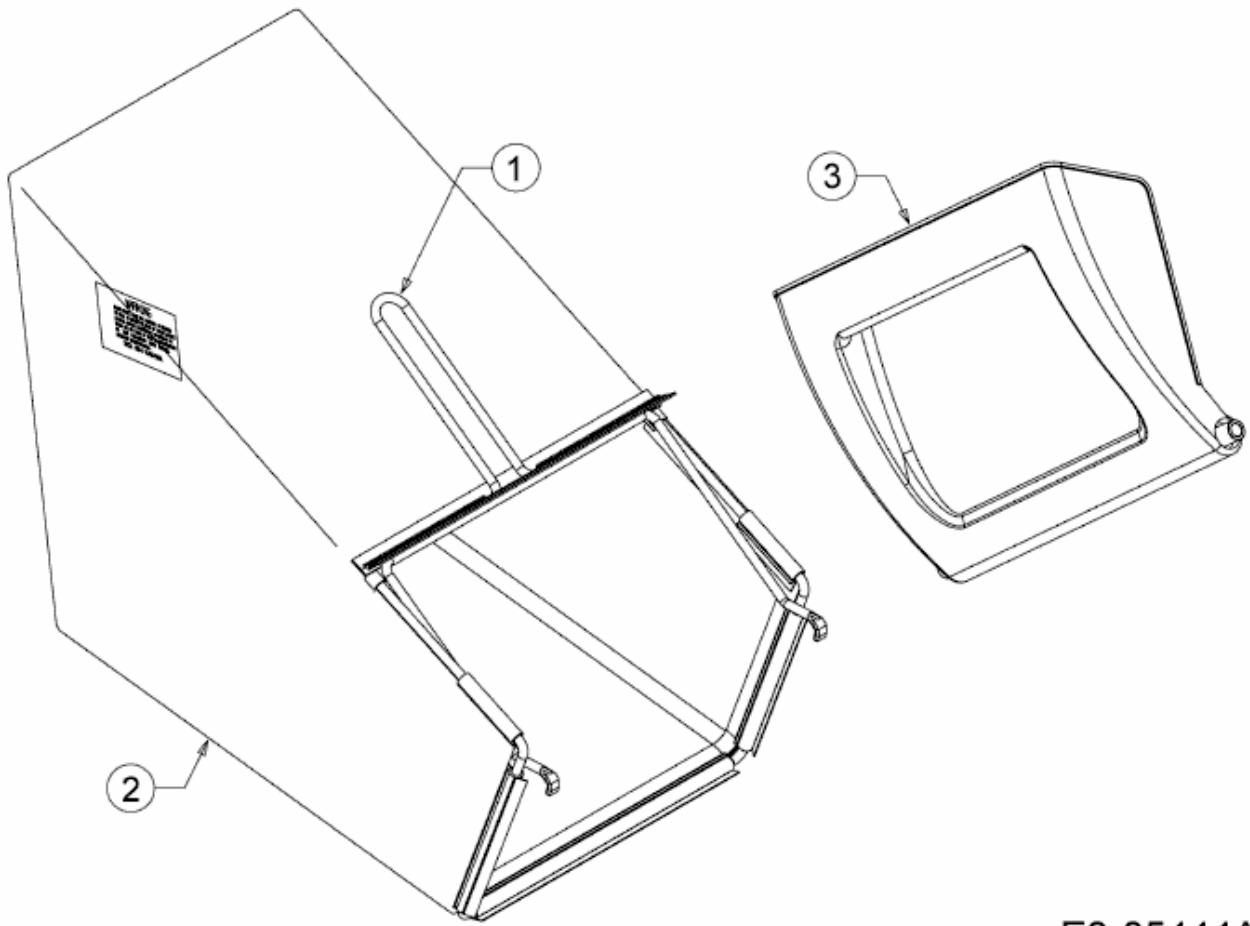


53 BS > 12A-845L600 (2016) > GRASFANGSACK, HECKKLAPPE



E3-05444A-01