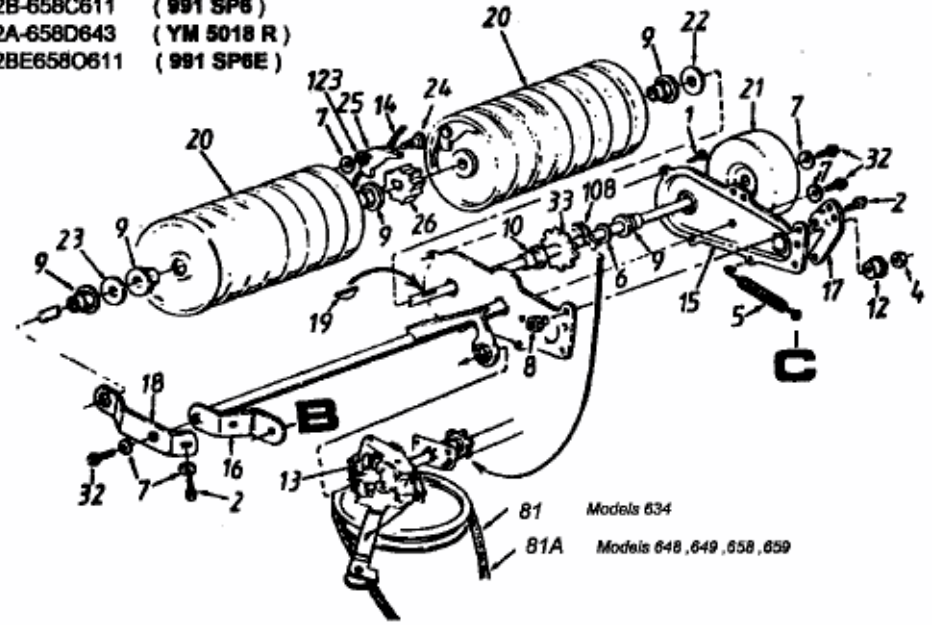
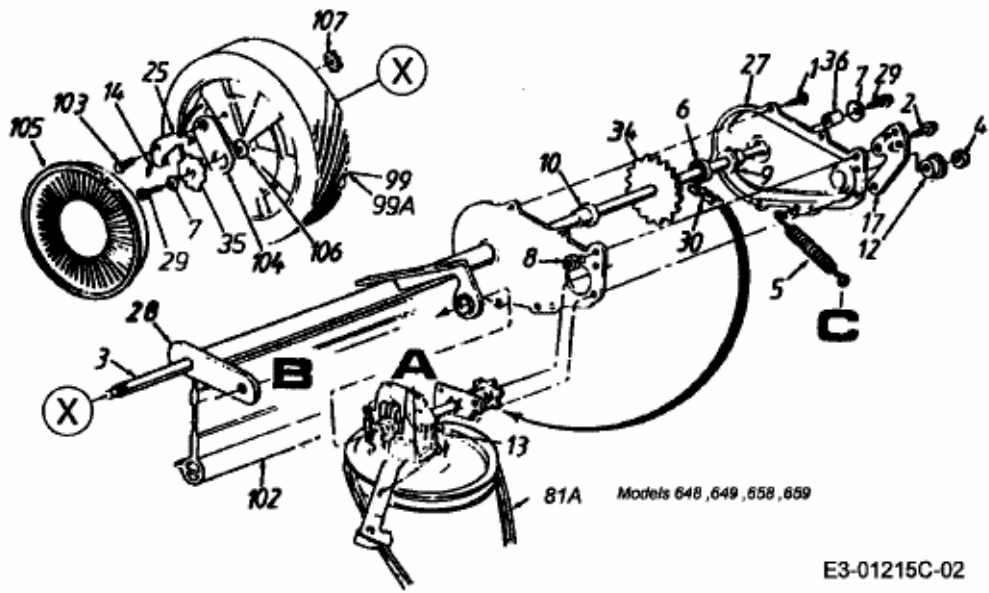


YM 5018 R > 12A-658D643 (2000) > GETRIEBE, ROLLEN, RÄDER

- 12B-634A611 (991 SPB)
- 12B-658C611 (991 SP6)
- 12A-658D643 (YM 5018 R)
- 12BE658O611 (991 SP6E)



- 12A-648D643 (YM 5018 SX)
- 12AE649M643 (YM 6518 SXE)



E3-01215C-02