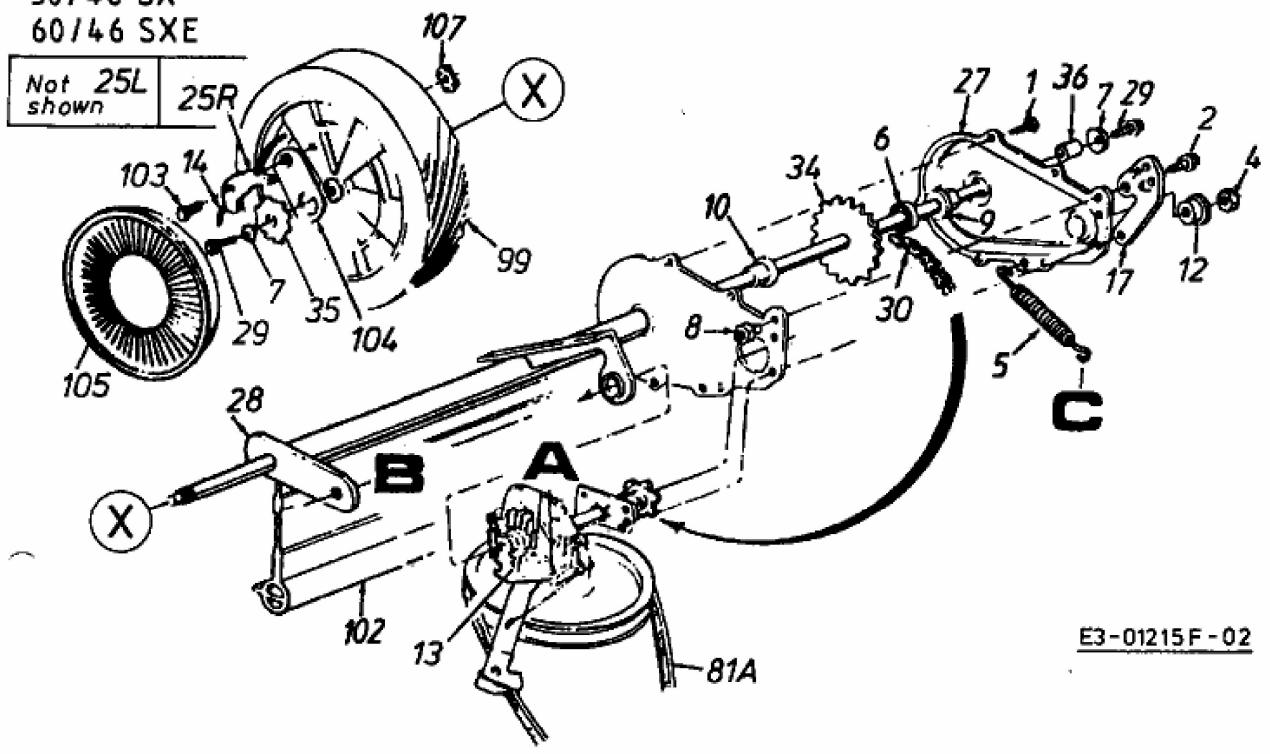


50/46 SX  
60/46 SXE

Not shown 25L  
25R



E3-01215F-02