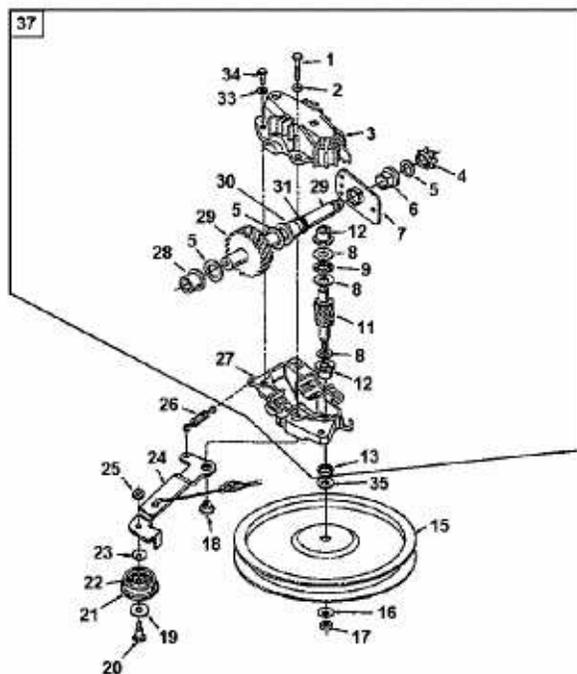


YM 5021 S > 126-648C643 (1996) > GETRIEBE



seg

A1996-5237-01