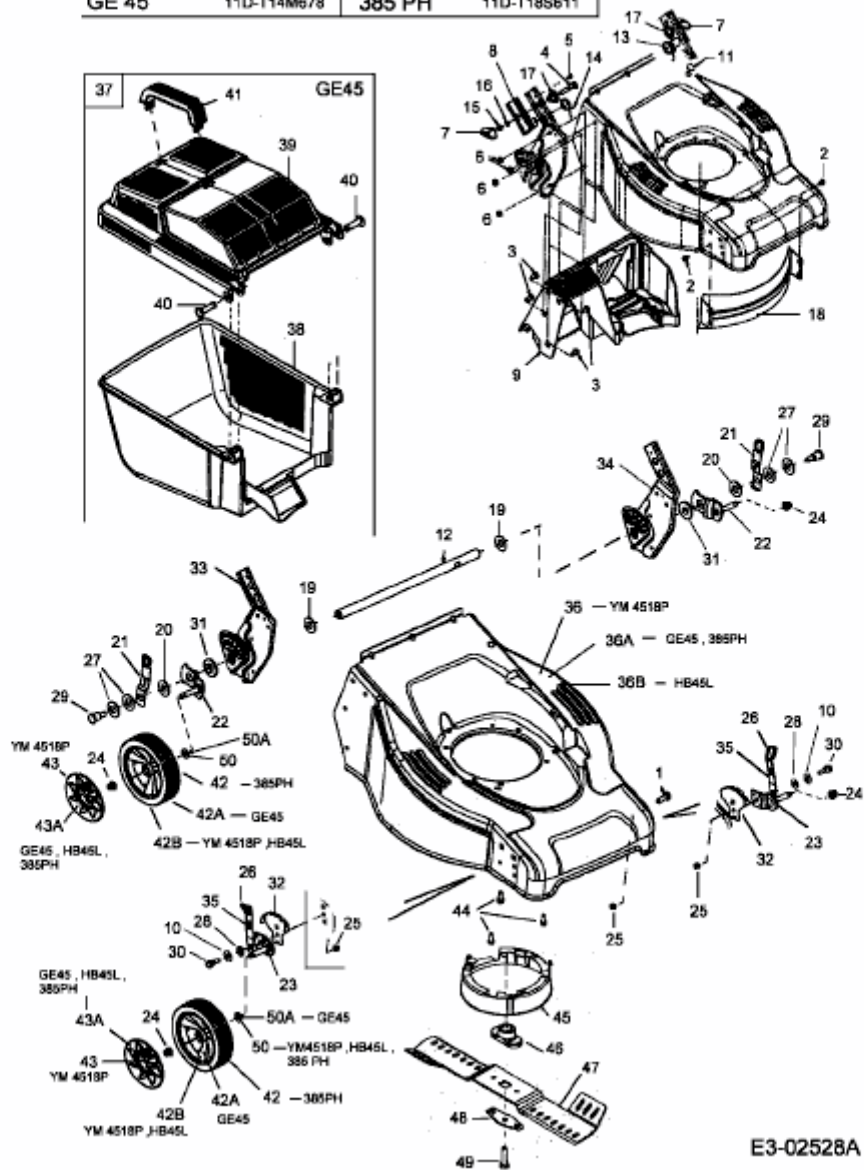


385 PH > 11D-T18S611 (2005) > GRASFANGKORB, MESSER, RÄDER,  
SCHNITTHÖHENEINSTELLUNG

|           |             |         |             |
|-----------|-------------|---------|-------------|
| YM 4518 P | 11D-T14H643 | HB 45 L | 11D-T14H690 |
| GE 45     | 11D-T14M678 | 385 PH  | 11D-T18S611 |



E3-02528A