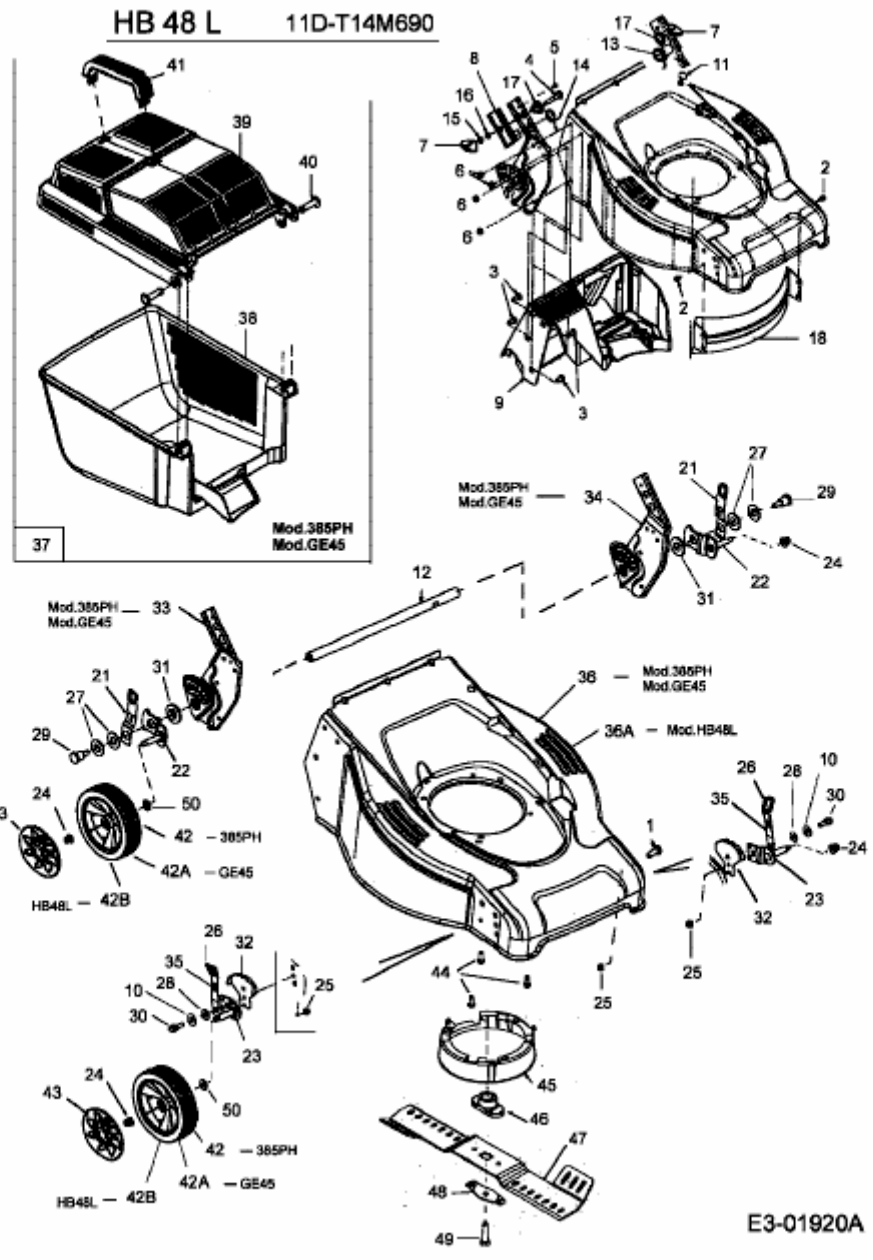


GE 45 > 11D-T14H678 (2004) > GRUNDGERÄT

385 PH	11D-T18S611
GE 45	11D-T14H678
HB 48 L	11D-T14M690



E3-01920A