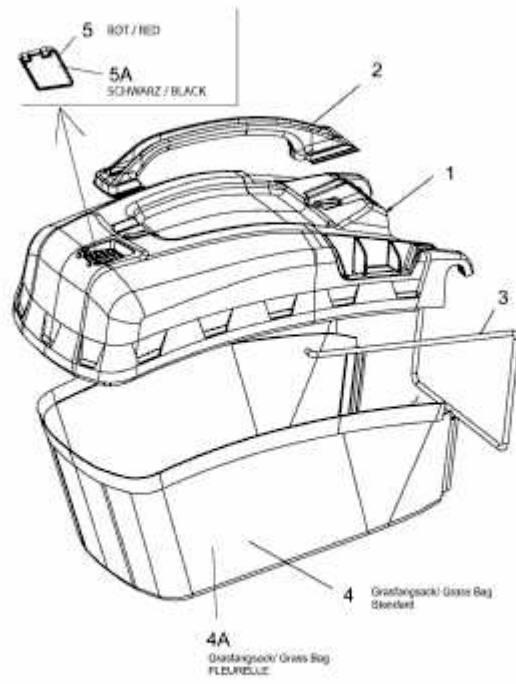


BG PREMIUM 46 P > 11D-J14J625 (2009) > GRASFANGSACK



E3-04764A-01