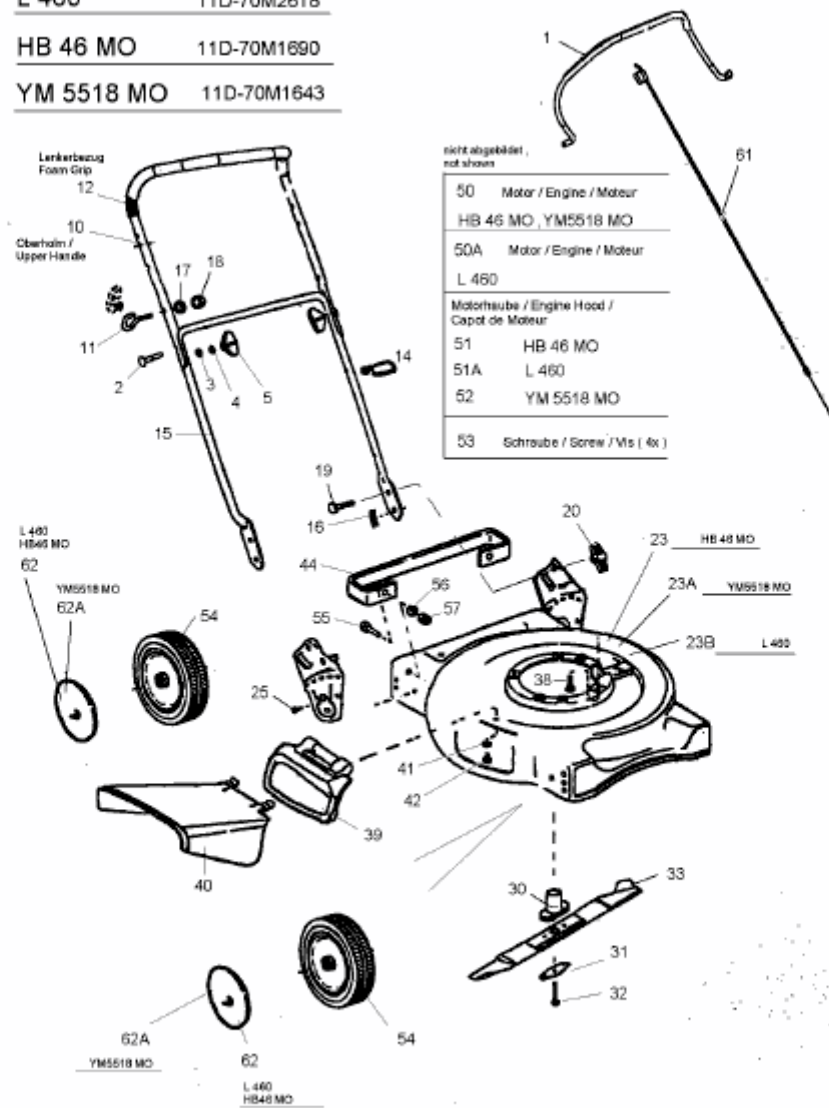


YM 5518 MO > 11D-70M1643 (2009) > GRUNDGERÄT

L 460 11D-70M2618

HB 46 MO 11D-70M1690

YM 5518 MO 11D-70M1643



E3-04757A-01