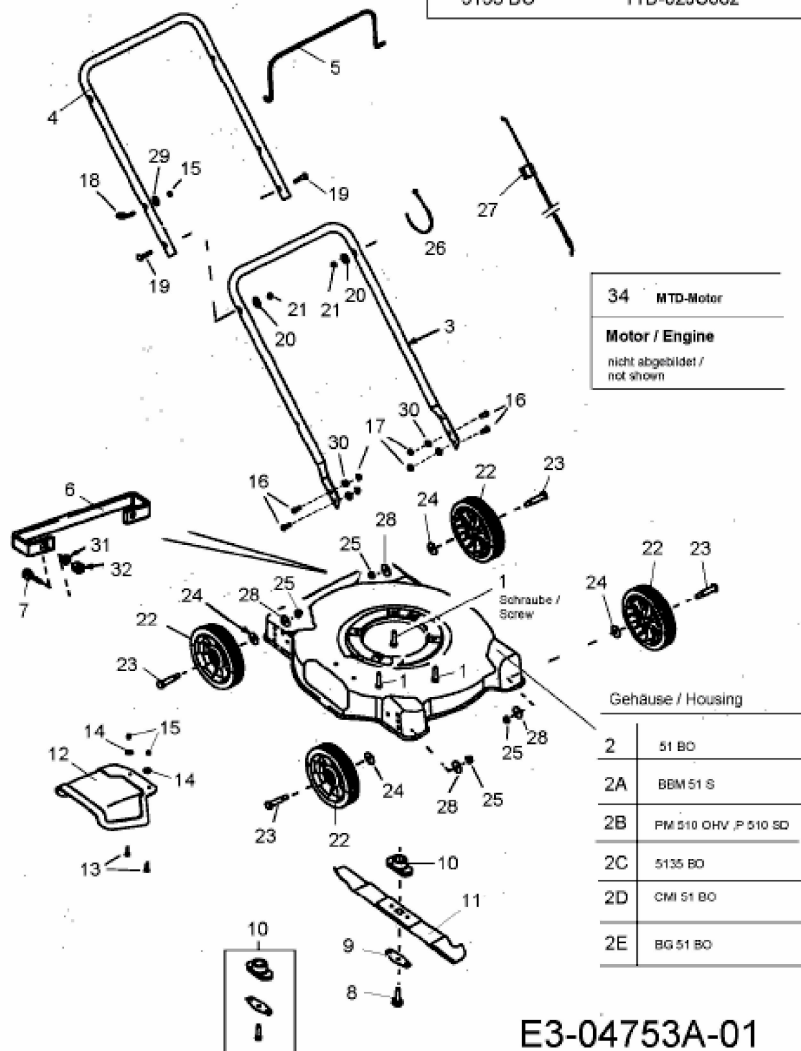


PM 510 OHV > 11D-02JC651 (2009) > GRUNDGERÄT

51 BO	11D-02JC600
BBM 51 S OHV	11D-02JC619
CMI 51 BO	11D-02JC620
BG 51 BO	11D-02JC625
PM 510 OHV	11D-02JC651
P 510 SD	11D-02JC659
5135 BO	11D-02JC662



E3-04753A-01