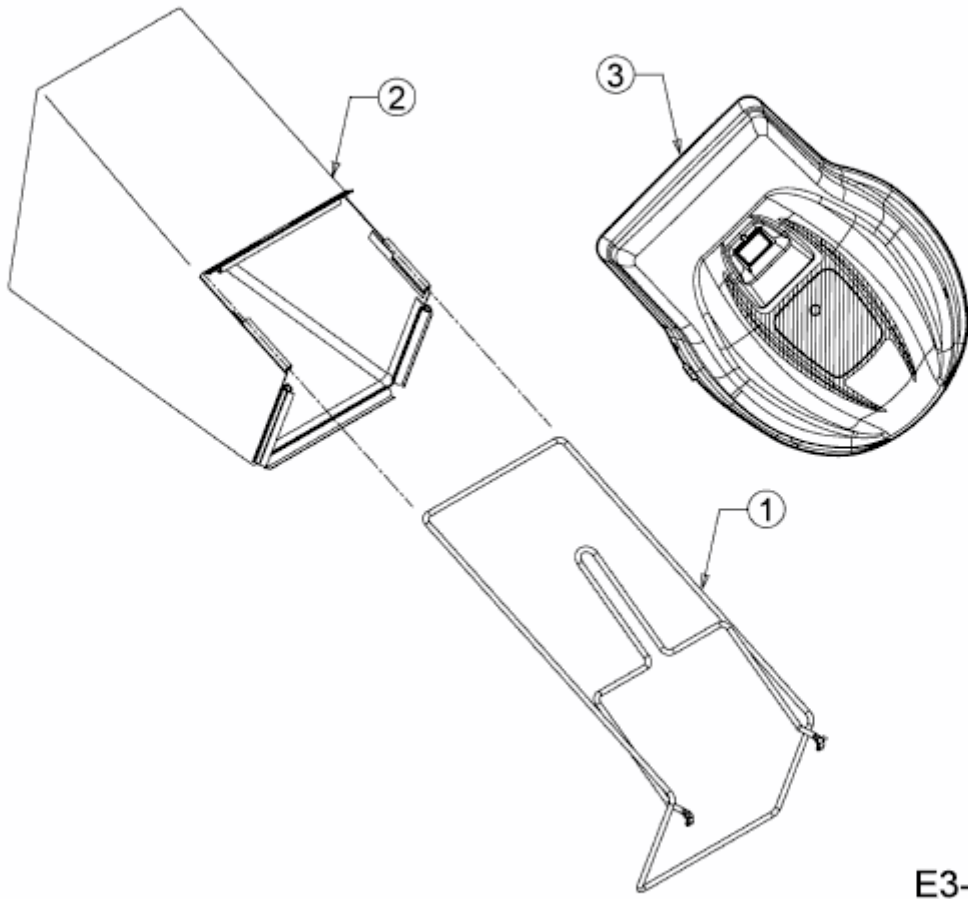


46 PO > 11C-J1JD600 (2010) > GRASFANGSACK, HECKKLAPPE



E3-05480A-01