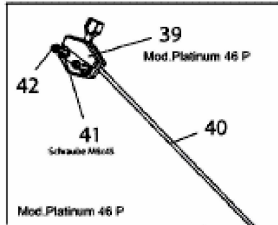
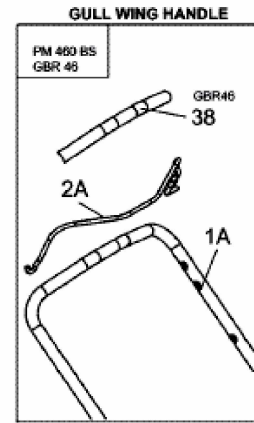
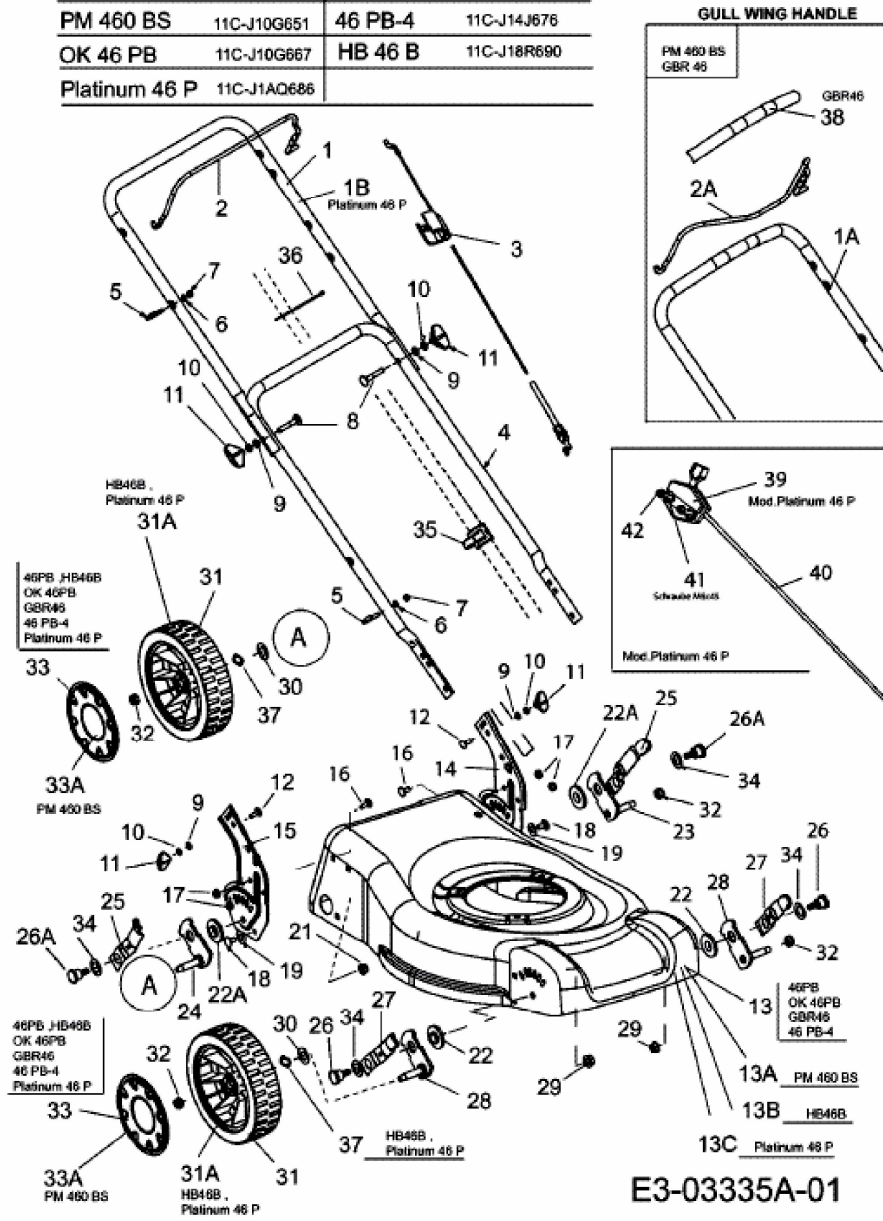


PM 460 BS > 11C-J10G651 (2007) > HOLM, RÄDER, SCHNITTHÖHENVERSTELLUNG

46 PB	11C-J10G600	GBR 46	11C-J14J666
PM 460 BS	11C-J10G651	46 PB-4	11C-J14J676
OK 46 PB	11C-J10G667	HB 46 B	11C-J18R690
Platinum 46 P	11C-J1AQ686		



E3-03335A-01