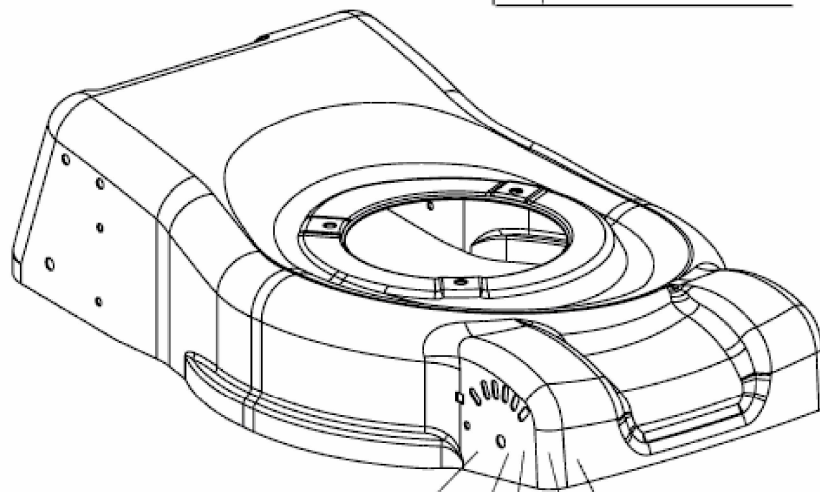


nicht abgebildet / not shown
MOTOR / ENGINE

| | FOR MÄHER-MOD. / FOR MOWER MOD. |
|---|---|
| 2 | MOD.40 PO , 40PO-HQ , HAGRO P 40 O ,CAMPUS 400 B |
| 3 | MOD. P 400 |
| 4 | MOD. 40 PB , P 40 B , GBR 40 |
| 5 | MOD. MX 40 BB |



WOLF ROT / WOLF RED 1D
 MOD. CAMPUS 400 B

MOOSGRÜN / MOSSGREEN 1C
 MOD. HAGRO P 40 O ,MX 40 BB

SCHWARZ / BLACK 1B
 MOD. P40 B

1 ROT / RED
 MOD.40 PO , 40PO-HQ ,
 MOD.40 PB , GBR 40

1A GELBGRÜN / MASTERCUT GREEN
 MOD. P 400

E3-04781A-01