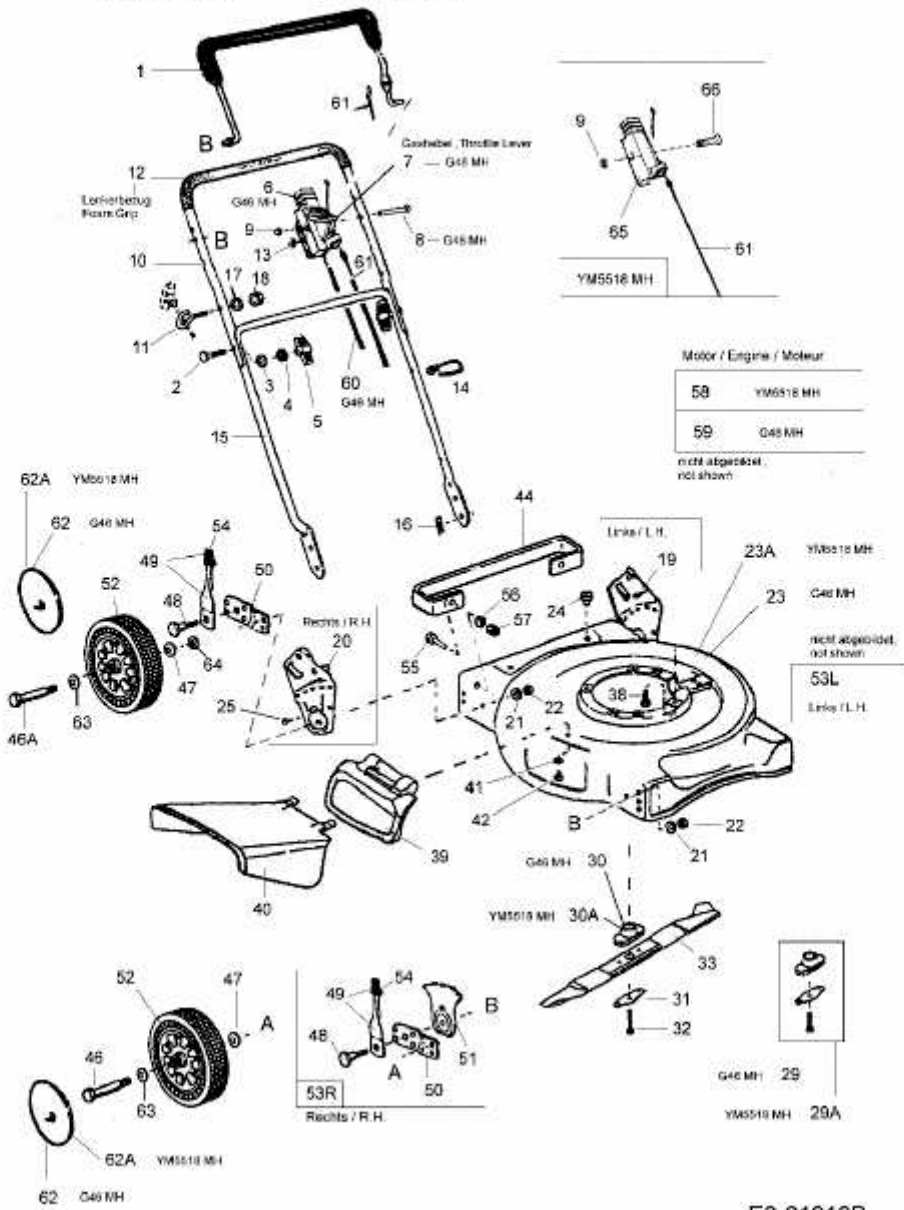


G 46 MH > 11C-704M678 (2005) > GRUNDGERÄT

G 46 MH 11C-708S678
YM 5518 MH 11C-709Q643



E3-01919B