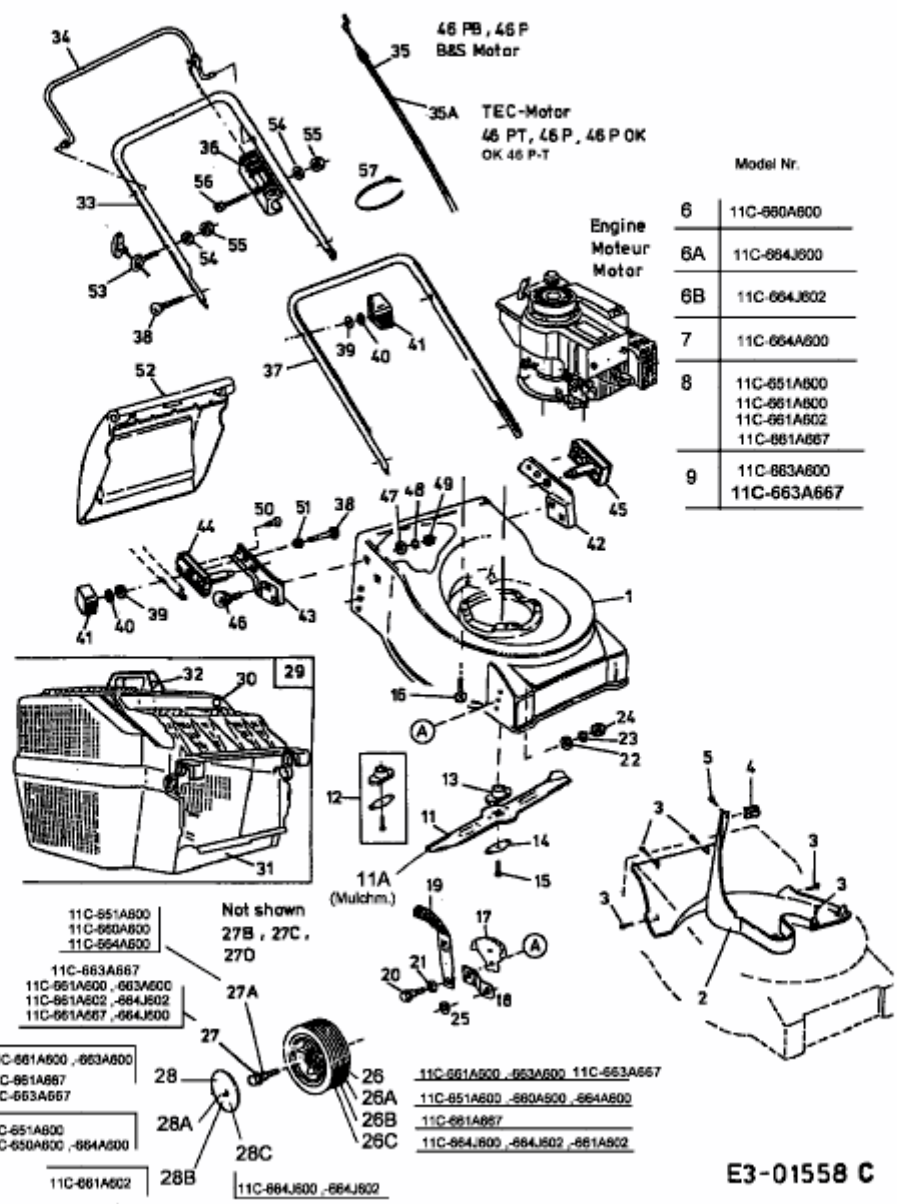


46 P > 11C-663A600 (2003) > GRUNDGERÄT

OK 46 P-T 11C-663A667

46 P	11C-651A600 ,11C-663A600 ,11C-664A600
46 PB	11C-660A600 ,11C-664J600 ,11C-664J602
46 PT	11C-661A600 ,11C-661A602
46 P OK	11C-661A667



E3-01558 C