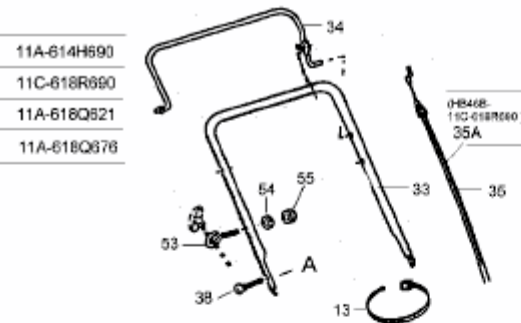
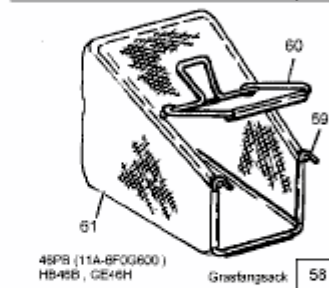
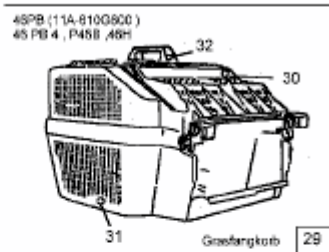


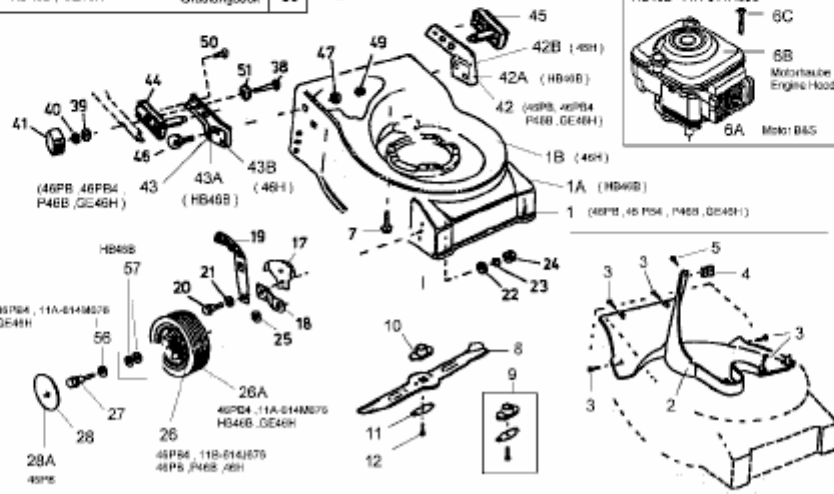
HB 46 B > 11C-618R690 (2006) > GRUNDGERÄT

46 PB	11A-610G800		
46 PB	11A-6F0G800	HB 46 B	11A-614H690
P 46 B	11A-610G857	HB 46 B	11C-618R690
46 PB 4	11A-614M876	46 H	11A-618Q821
46 PB 4	11B-614J876	GE 46 H	11A-618Q878



Motor, Engine, Motor
nicht abgebildet/
not shown

6L	Schraube, Screw
6K	Motorhaube Engine Hood
6H	Motor B&S HB46B - 11C-618R690
6F	Motor B&S 46PB4, 11A-614J876
6C	46PB4, 11A-614M876 Schraube, Screw
6G	Motorhaube Engine Hood
6E	Motor B&S GE46H, 46H
6D	Motor HONDA 46PB, P46B
6	Motor B&S HB46B - 11A-614H690



E3-02500B-01