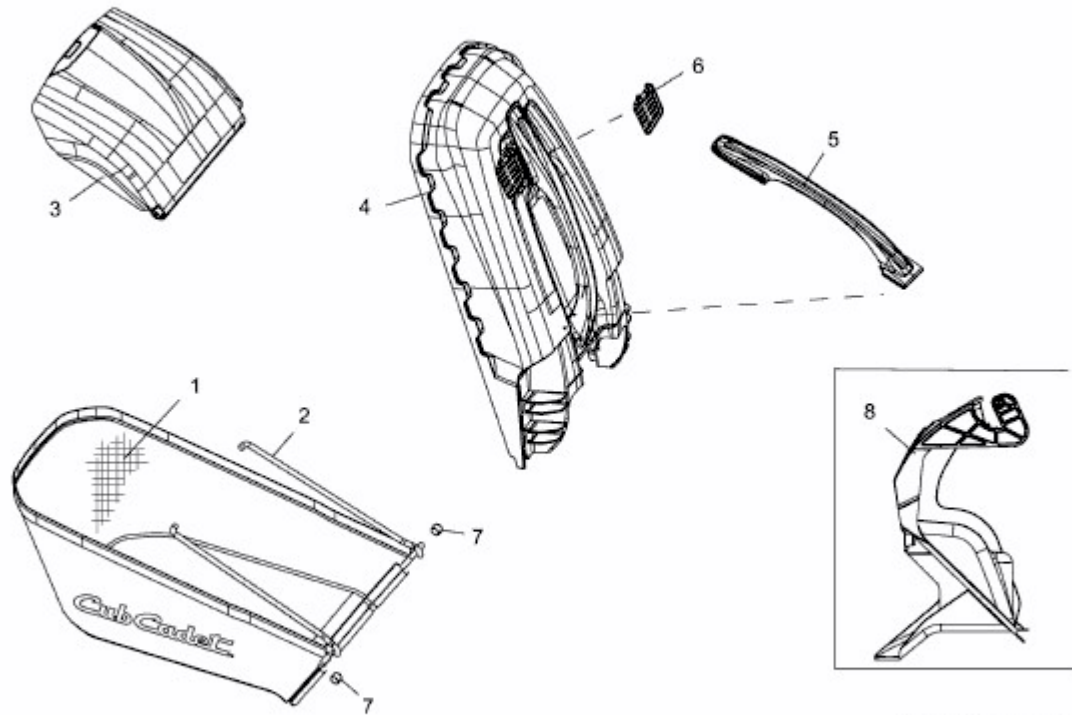


CC 46 PB > 11B-K15E603 (2014) > GRASFANGSACK



E3-07307A-01