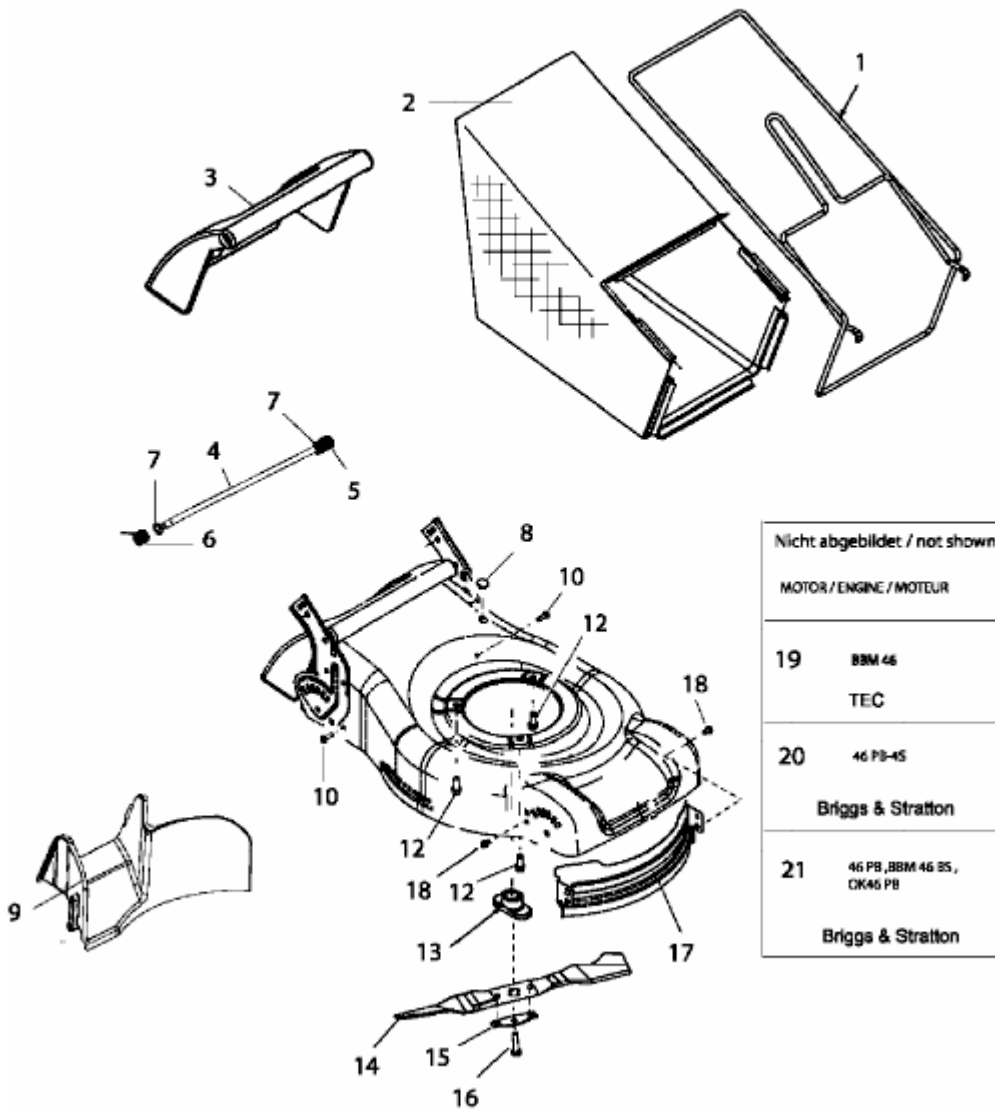


11B-J10G619 (2005) > GRASFANGSACK, MESSER, MOTOR

46 PB	11B-J10G600	OK 46 PB	11B-J10G667
46 PB	11B-J10G604	46 PB-45	11B-J14J676
BBM 46 BS	11B-J10G619		
BBM 46	11B-J11A619		



Nicht abgebildet / not shown	
MOTOR / ENGINE / MOTEUR	
19	BBM 46 TEC
20	46 PB-45 Briggs & Stratton
21	46 PB, BBM 46 BS, OK46 PB Briggs & Stratton

E3-02548A