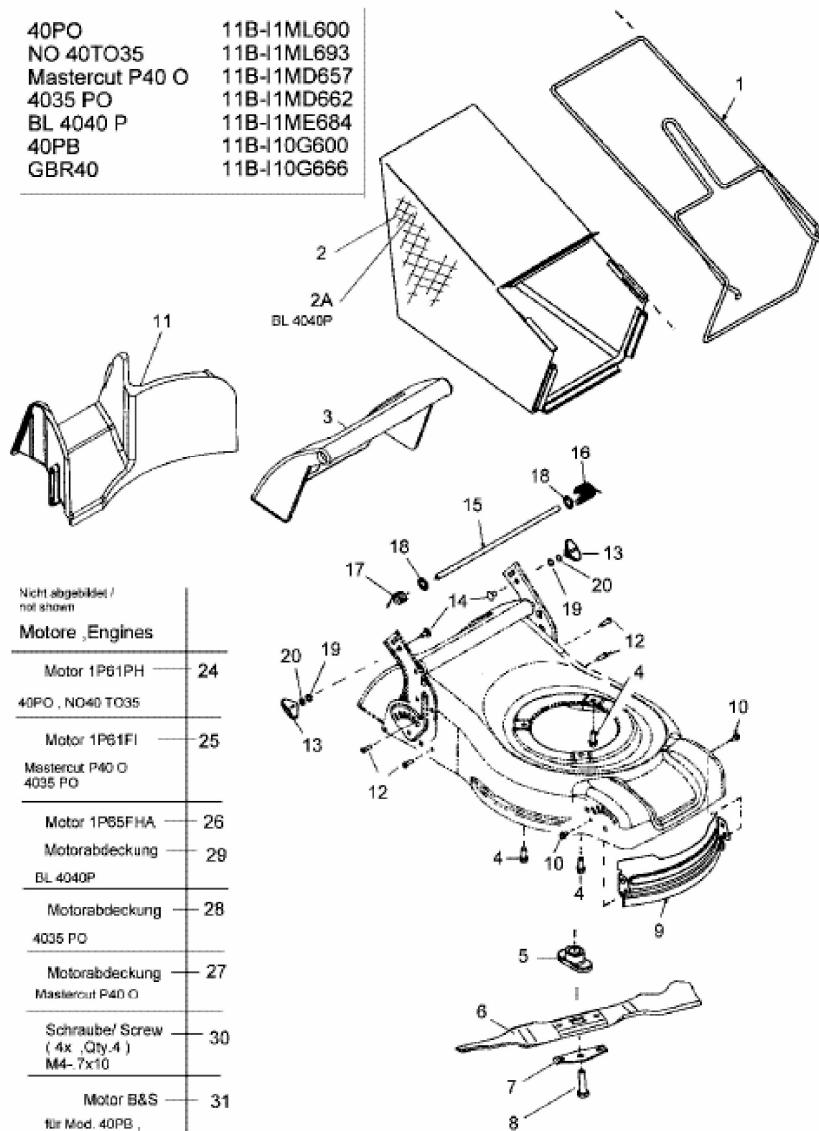


NO 40 TO 35 > 11B-11ML693 (2007) > GRASFANGSACK, MESSER, MOTOR

|                 |             |
|-----------------|-------------|
| 40PO            | 11B-11ML600 |
| NO 40TO35       | 11B-11ML693 |
| Mastercut P40 O | 11B-11MD657 |
| 4035 PO         | 11B-11MD662 |
| BL 4040 P       | 11B-11ME684 |
| 40PB            | 11B-10G600  |
| GBR40           | 11B-10G666  |



Nicht abgebildet /  
not shown

**Motore ,Engines**

|   |    |
|---|----|
| Motor 1P61PH<br>40PO , NO40 TO35            | 24 |
| Motor 1P61FI<br>Mastercut P40 O<br>4035 PO  | 25 |
| Motor 1P65FHA<br>Motorabdeckung<br>BL 4040P | 26 |
| Motorabdeckung<br>4035 PO                   | 29 |
| Motorabdeckung<br>Mastercut P40 O           | 28 |
| Schraube/ Screw<br>( 4x ,Qty.4 )<br>M4-7x10 | 27 |
| Motor B&S<br>für Mod. 40PB ,<br>GBR40       | 30 |
|   | 31 |

E3-03339A-01