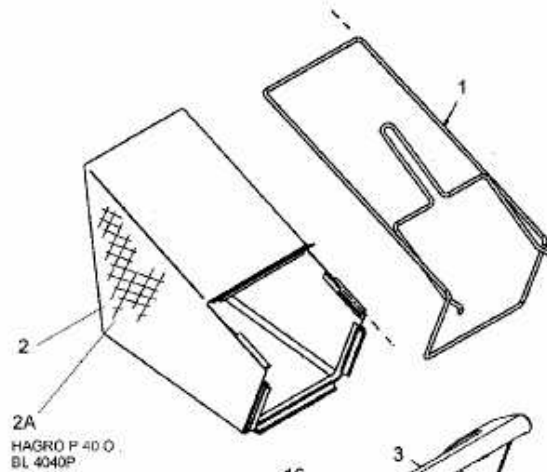
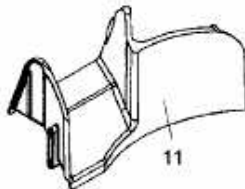


P 400 > 11B-I1ML659 (2008) > GRASFANGSACK, MESSER, MOTOR

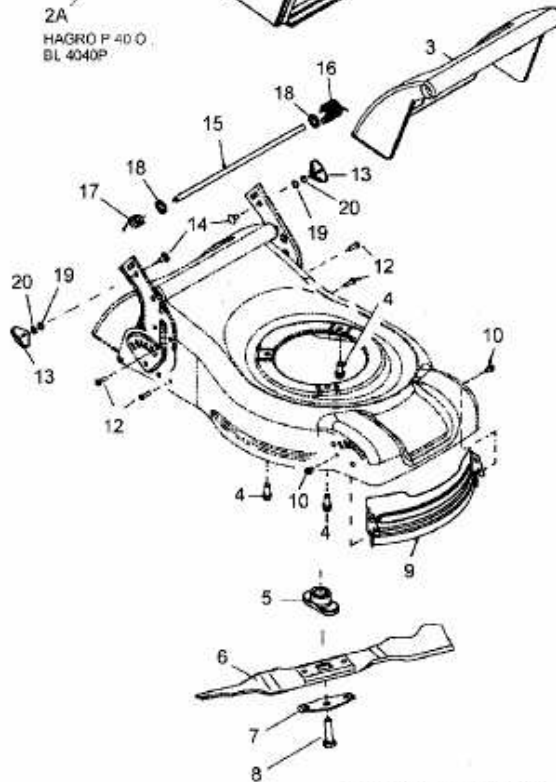
40 PD	11B-I1MD600
40 PD-HQ	11B-I1MD616
HAGRO P 40 O	11C-I1MD607
P 400	11B-I1ML659
40PD	11B-I1ML600
NO 40T035	11B-I1ML653
Mastercut P40 O	11B-I1MD657
4035 PD	11B-I1MD652
BL 4040 P	11B-I1ME684
40PB	11B-I1CG900
P 40 B	11B-I1CG915
GBR40	11B-I1CG909



2A
HAGRO P 40 O,
BL 4040P

Nicht abgebildet/
not shown
Motore ,Engines

Motor 1P61MH	22
40 PD ,11B-I1MD600 , 40 PD-HQ HAGRO P 40 O	
Motorabdeckung	23
HAGRO P 40 O	
Motor 1P61PH	24
40PD ,11B-I1ML600 , NO40 TC35 , P 400	
Motor 1P61FI	25
Mastercut P40 O 4035 PD	
Motor 1P65FHA	26
Motorabdeckung	29
BL 4040P	
Motorabdeckung	28
4035 PD	
Motorabdeckung	27
40 PD ,11B-I1MD600 40 PD-HQ Mastercut P40 O	
Schraube/ Screw (4x , Qty 4)	30
Motor B&S für Mod. 40PB , P 40 B , GBR40	31



E3-03339B-01