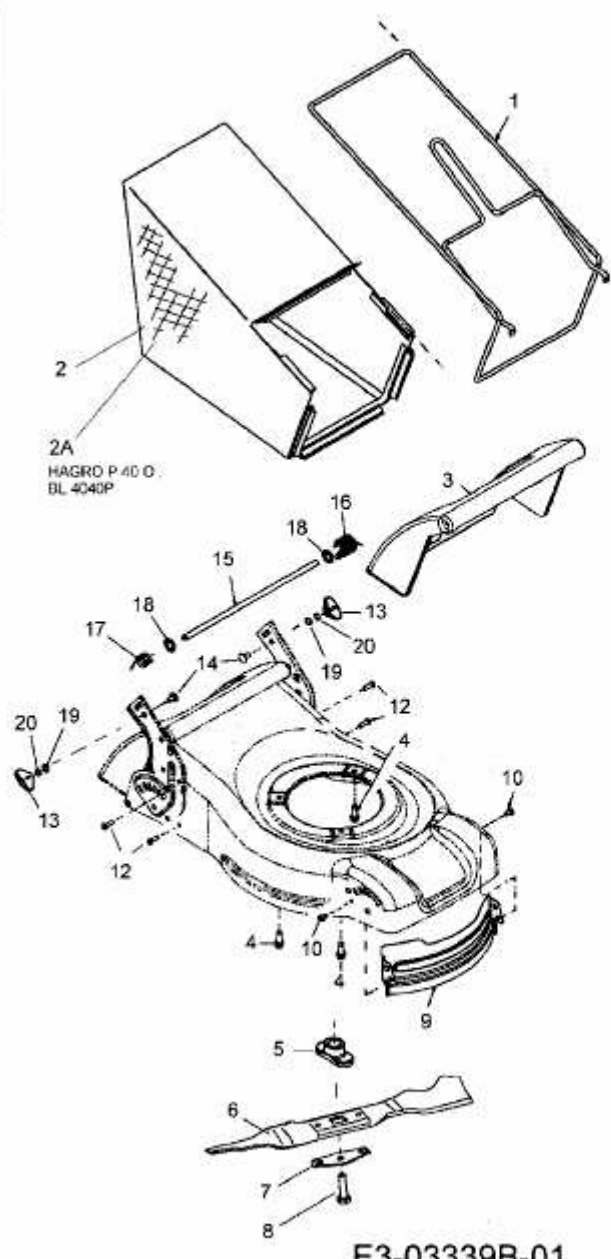
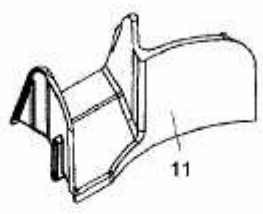


40 PO-HQ > 11B-I1MD616 (2008) > GRASFANGSACK, MESSER, MOTOR

40 PO	11B-I1MD600
40 PO-HQ	11B-I1MD616
HAGRO P 40 O	11C-I1MD807
P 400	11B-I1ML659
40PO	11B-I1ML600
NO 40TQ35	11B-I1ML693
Mastercut P40 O	11B-I1MD657
4035 PO	11B-I1MD662
BL 4040 P	11B-I1ME684
40PB	11B-I1OG800
P 40 B	11B-I1OG815
GBR40	11B-I1OG666



Nicht abgebildet / not shown	
<b>Motore / Engines</b>	
Motor 1P61MH	22
40 PO - 11B-I1MD600 40 PO-HQ HAGRO P 40 O	
Motorabdeckung HAGRO P 40 O	23
Motor 1P61PH	24
40PO - 11B-I1ML600 NO40 TQ35 - P 400	
Motor 1P61FI	25
Mastercut P40 O 4035 PO	
Motor 1P65FHA	25
Motorabdeckung	29
BL 4040P	
Motorabdeckung	28
4035 PO	
Motorabdeckung	27
40 PO - 11B-I1MD600 40 PO-HQ Mastercut P40 O	
Schraube/ Screw ( 4x ,Qty.4 )	30
Motor B&S für Mod 40PB P 40 B - GBR40	31

E3-03339B-01