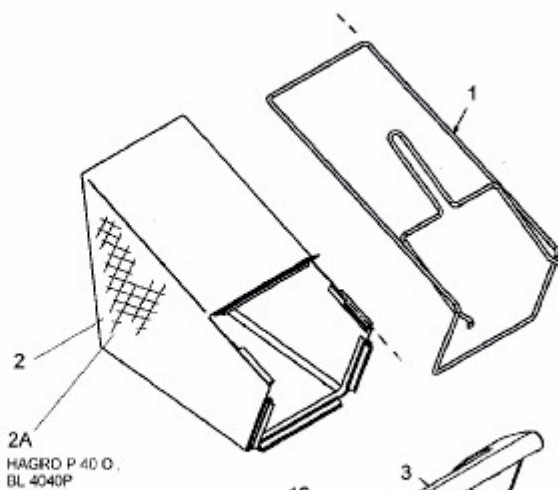
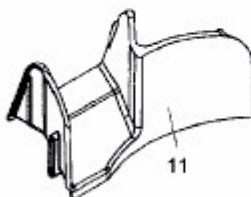


GBR 40 > 11B-I10G666 (2008) > GRASFANGSACK, MESSER, MOTOR

40 PO	11B-I1MD600
40 PO-HQ	11B-I1MD616
HAGRO P 40 O	11C-I1MD607
P 400	11B-I1ML659
40PO	11B-I1ML600
NO 40T035	11B-I1ML693
Mastercut P40 O	11B-I1MD657
4035 PO	11B-I1MD662
BL 4040 P	11B-I1ME684
40PB	11B-I10G800
P 40 B	11B-I10G615
GBR40	11B-I10G666



Nicht abgebildet /
not shown

Motore ,Engines

Motor 1P61MH — 22
40 PO , 11B-I1MD600 ,
40 PO-HQ
HAGRO P 40 O

Motorabdeckung — 23
HAGRO P 40 O

Motor 1P61PH — 24
40PO , 11B-I1ML600 ,
NO40 T035 , P 400

Motor 1P61FI — 25
Mastercut P40 O
4035 PO

Motor 1P65FHA — 26

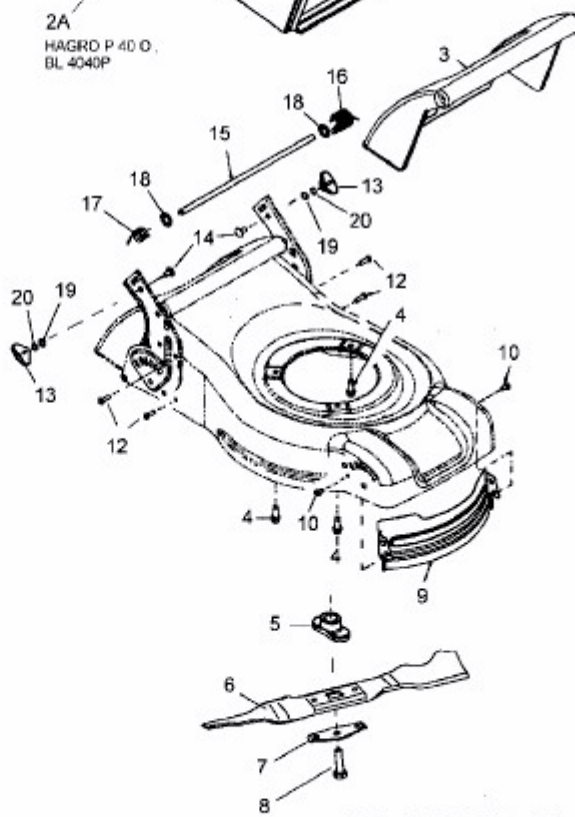
Motorabdeckung — 29
BL 4040P

Motorabdeckung — 28
4035 PO

Motorabdeckung — 27
40 PO , 11B-I1MD600
40 PO-HQ
Mastercut P40 O

Schraube/ Screw — 30
(4x ,Qty. 4)

Motor B&S — 31
für Mod. 40PB ,
P 40 B , GBR40



E3-03339B-01