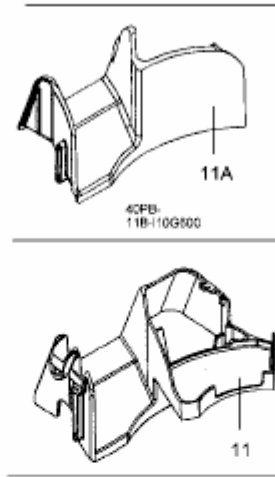


40 PB > 11B-I10G600 (2005) > GRASFANGSACK, MESSER, MOTOR

P 40 B	11A-I10G657	40 PB	11A-I10G600
40 PT	11A-I11A600	40 PB	11B-I10G600
HB 40 B	11A-I14M590		



Nicht abgebildet /
not shown

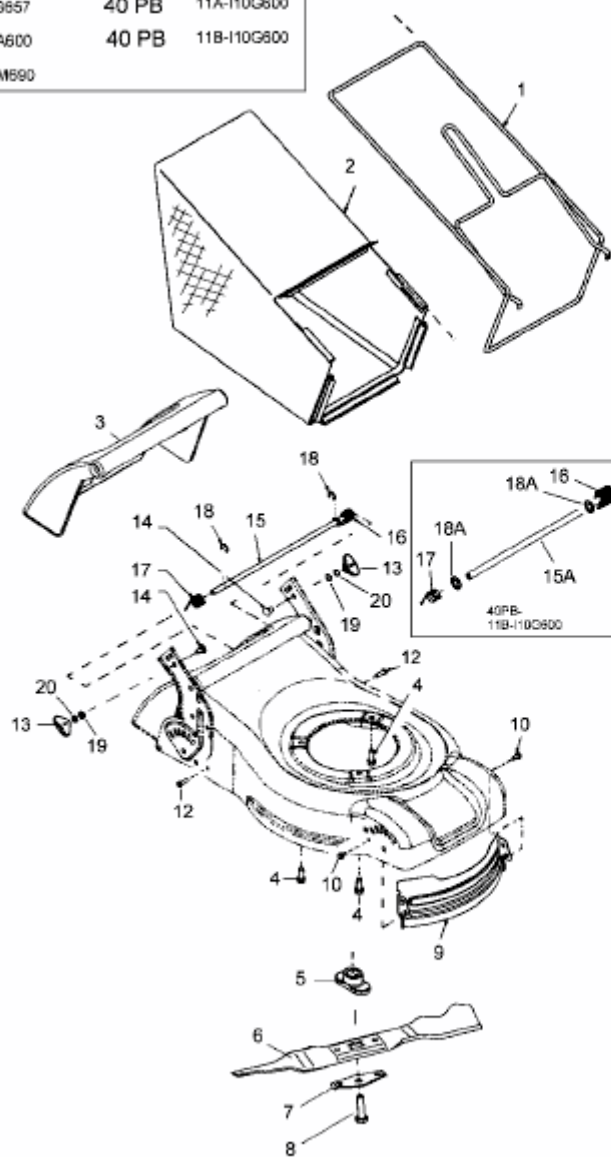
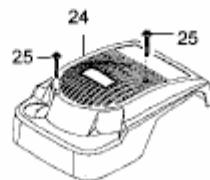
Motor ,Engine

21 40 PB , P 40 B

22 40 PT

23 HB 40 B

Motorabdeckung HB 40 B
Engine Hood



E3-01960A