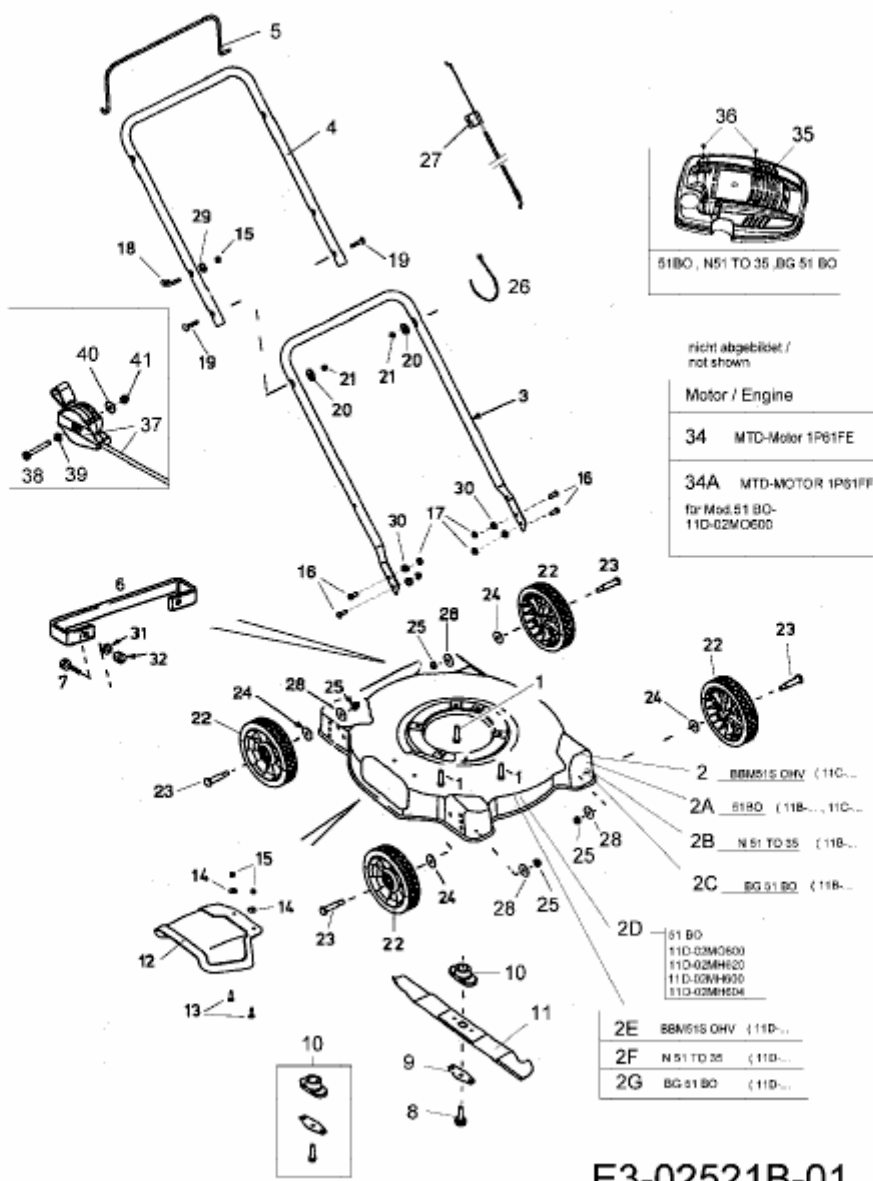


51 BO > 11B-02MH600 (2006) > GRUNDGERÄT

| | | | | | | |
|--|--|--|---|--|---|--|
| 51 BO 11B-02MH600 11D-02MH600 | 51 BO 11B-02MO600 11D-02MO600 | 51 BO 11B-02MH604 11D-02MH604 | BBM 51 S OHV 11C-02MH619 11D-02MH619 | 51 BO 11C-02MH620 11D-02MH620 | BG 51 BO 11B-02MH625 11D-02MH625 | N51 TO 35 11B-02MH693 11D-02MH693 |
|--|--|--|---|--|---|--|



E3-02521B-01