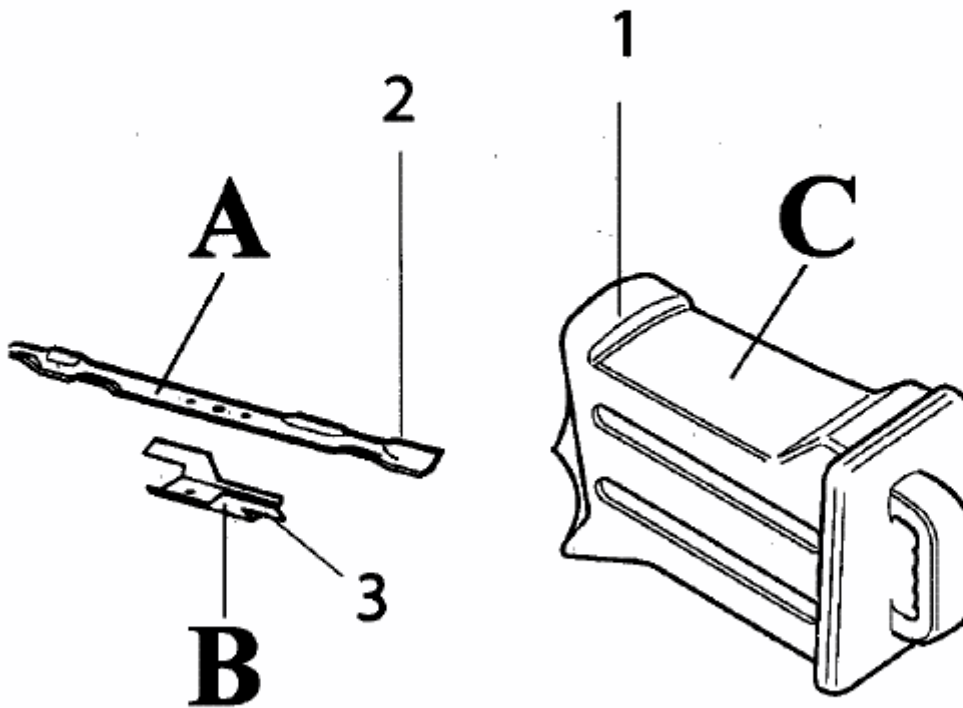


**196-714-678**

**MULCH KIT ALU-MÄHER / KIT MULCHING**

**46 cm**



**E4-01321A**