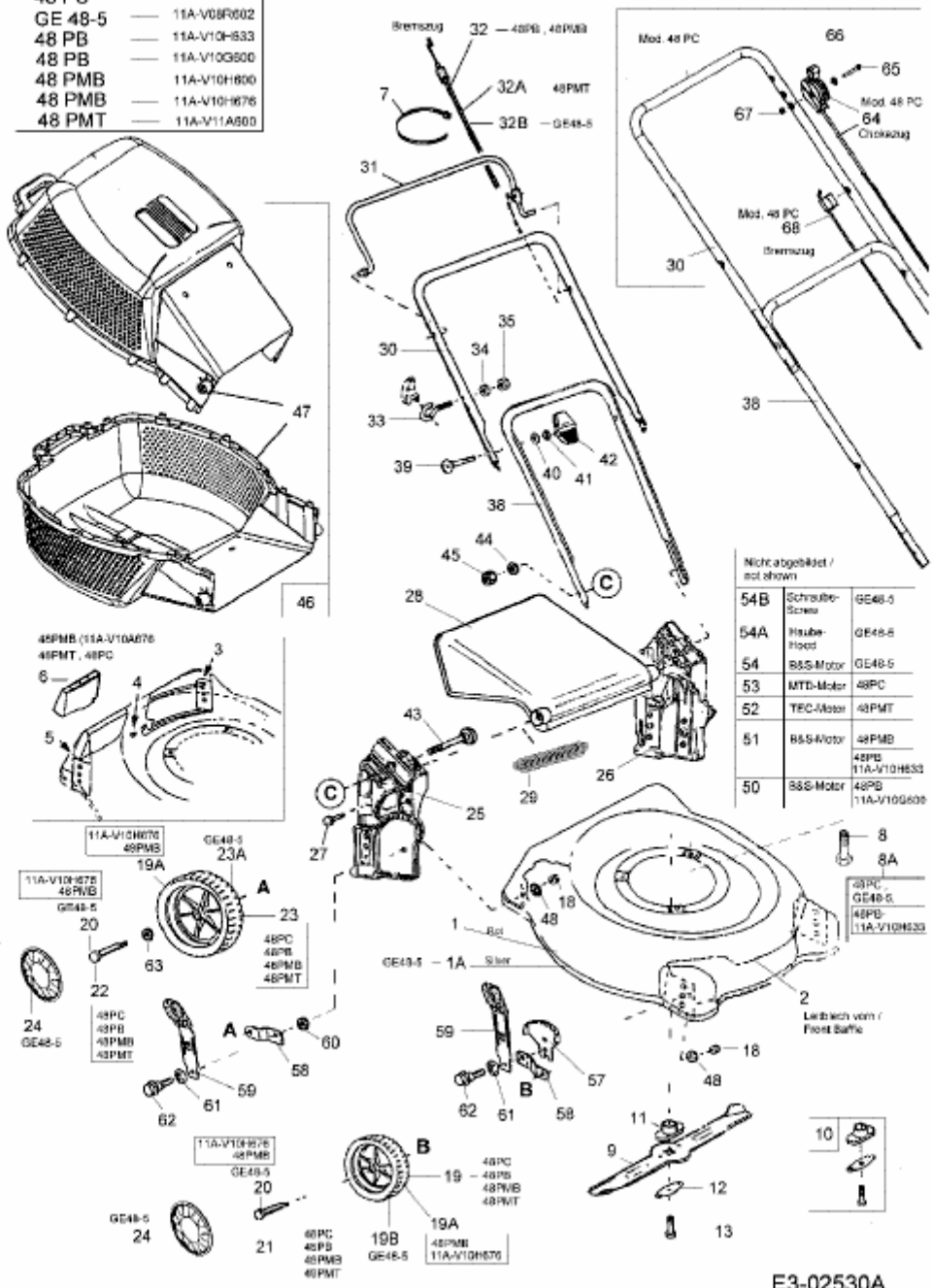


# 48 PMT > 11A-V11A600 (2005) > GRUNDGERÄT

- 48 PC — 11A-V10M600
- GE 48-5 — 11A-V08R602
- 48 PB — 11A-V10H633
- 48 PB — 11A-V10G600
- 48 PMB — 11A-V10H600
- 48 PMB — 11A-V10H676
- 48 PMT — 11A-V11A600



Nicht abgebildet / not shown

54B	Schraube-Schraube	GE48-5
54A	Haube-Haube	GE48-5
54	B&S-Motor	GE48-5
53	MTD-Motor	48PC
52	TEC-Motor	48PMT
51	B&S-Motor	48PMB 48PMB 11A-V10H633
50	B&S-Motor	48PB 11A-V10G600

E3-02530A