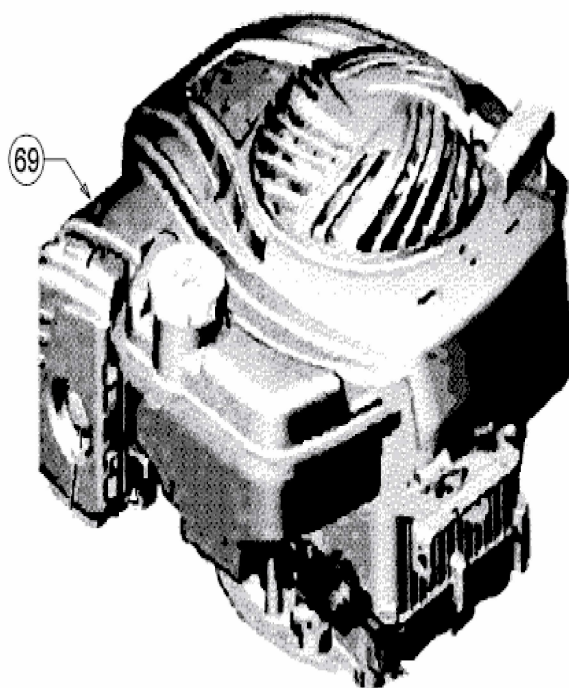


Briggs & Stratton



Model: 09P702
Type: 0103H1

E3-08624A-01